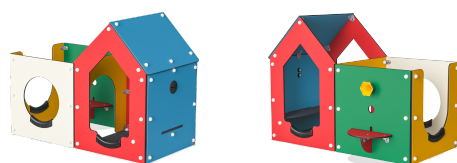
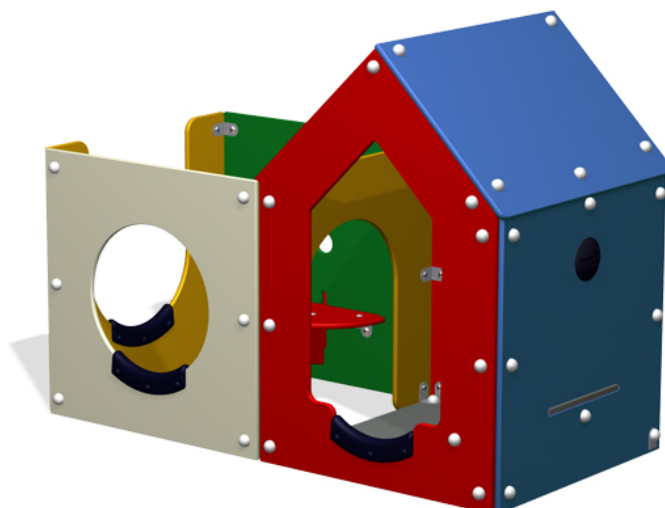


M63272

# Labyrinth 2 rooms

**KOMPAN**  
Let's play



The two room Labyrinth offers an exciting and enjoyable experience for younger children: a crawl-through and hide-away playhouse containing different rooms all waiting to be explored. The various shapes and sizes of the openings in the Labyrinth let in the light, creating an exciting combination of light and shadow. Small children (unlike adults) are unable to look down into the secrets of the Labyrinth, which is why the youngest children meet one surprise after another while going from room to room. Each room opens a new world to discover for the youngsters and further the colorful walls with different shaped openings give visual impressions from light and shadow.

<b>Product Line</b>	Themed Play
<b>Category</b>	Toddler play
<b>Age group</b>	1 - 4
<b>Max. fall height (CM)</b>	27
<b>Total height (CM)</b>	137
<b>Safety Zone</b>	17.4 m <sup>2</sup>



SOCIALIZE



CONSTRUCT



DRAMATIC PLAY

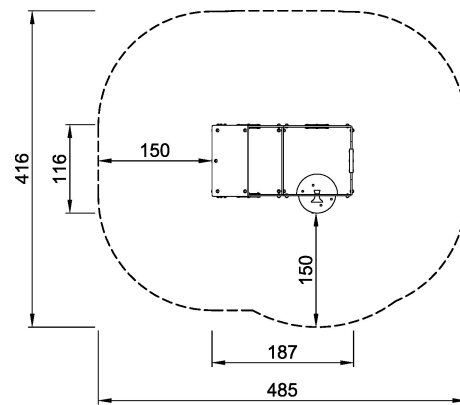


**SURFACE**

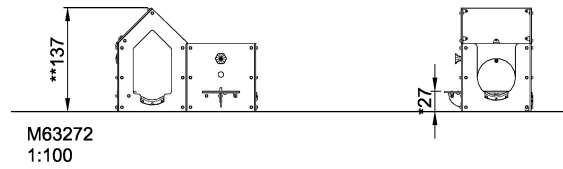


ADA / INCLUSIVE

**ASTM**



M63272-xx13P  
\*27cm  
\*\*137cm  
\*\*\*17,4m<sup>2</sup>  
1:100



\* = Highest designated play surface.  
\*\* = Total height of product.

<b>Weight/heaviest parts</b>	kg.	<b>Installation (Manpower)</b>	Persons
<b>Concrete required</b>	NaN m <sup>3</sup>	<b>Installation (Hours)</b>	Hours
<b>Foundation amount/footing</b>	NaN	<b>Excavation</b>	NaN m <sup>3</sup>