

M7021 Climby Shifter



Here you'll find play and climbing for hours for boys and girls! The destination is the rattling antenna on top. Who will get there first? This is real training of the spatial sense: On one side you can choose climbing wall grips, on the other you have holes, and on the third side a rope ladder. Horizontal climbing is possible too, when you climb through the holes, which also make contact between all three sides of the Climby Shifter possible. The floors are slightly slanting, thus presenting a great challenge to the sense of balance!

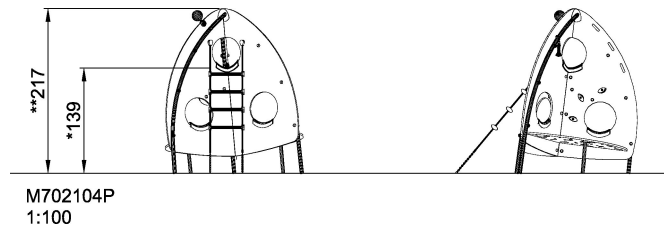
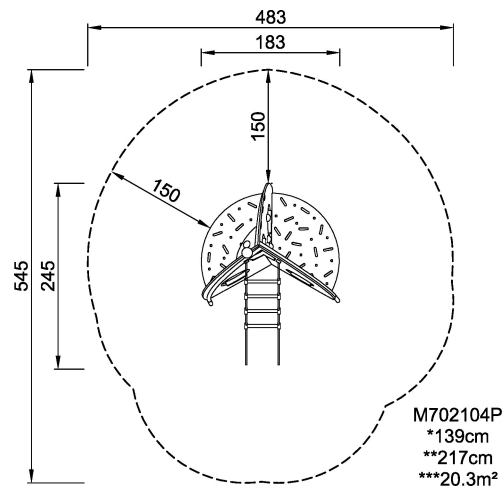
Product Line	Themed Play
Category	Vehicles & ships
Age group	3 - 8
Max. fall height (CM)	139
Total height (CM)	217
Safety Zone	20.3 m2



**SUR-
FACE**



ASTM



* = Highest designated play surface.
** = Total height of product.

Weight/heaviest parts	kg.	Installation (Manpower)	Persons
Concrete required	NaN m ³	Installation (Hours)	Hours
Foundation amount/footing	NaN	Excavation	NaN m ³