

M980

Dino swing with tyre



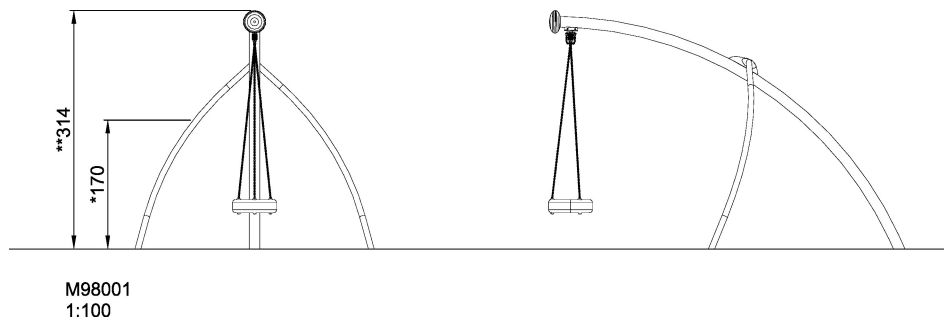
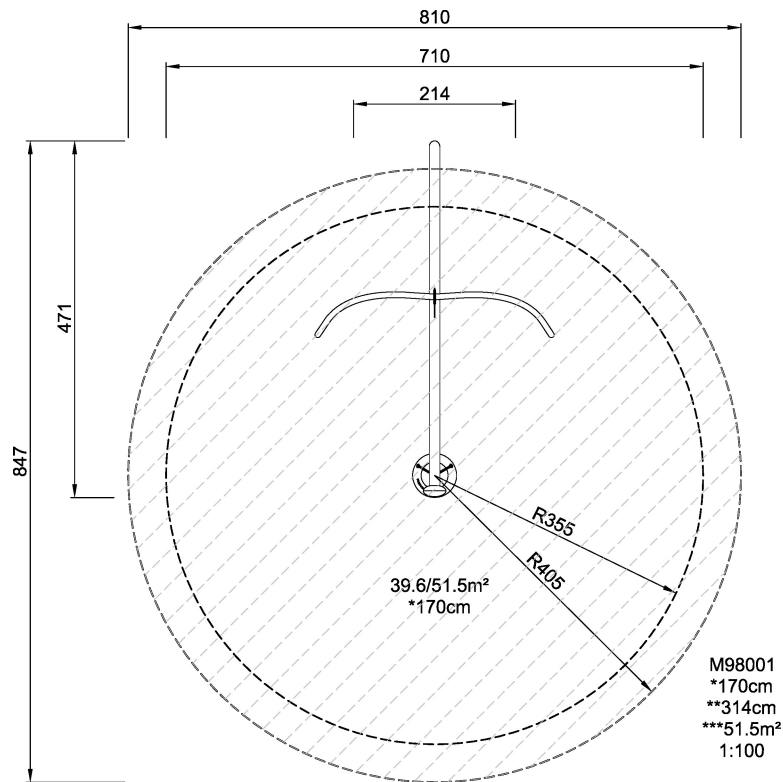
Play together, draw up play rules. Compare what one child can do and what another child can. These are important steps in a Childs social development. The Dino Swing and giant swing incite children to develop these abilities. Standing close together on the tyre a child has to coordinate its movement well and clearly state in what direction he/ she wants to swing. When this succeeds a child has the feeling to fly over the framework. After that the children can just swing to and from.

| | |
|------------------------------|-----------------------------|
| Product Line | Freestanding Play Equipment |
| Category | Swings |
| Age group | 6 - 15 |
| Max. fall height (CM) | 170 |
| Total height (CM) | 314 |
| Safety Zone | 51.5 m2 |



**SUR-
FACE**





* = Highest designated play surface.
** = Total height of product.

| | | | |
|----------------------------------|--------|--------------------------------|---------|
| Weight/heaviest parts | kg. | Installation (Manpower) | Persons |
| Concrete required | NaN m3 | Installation (Hours) | Hours |
| Foundation amount/footing | NaN | Excavation | NaN m3 |