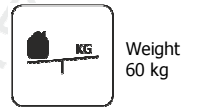
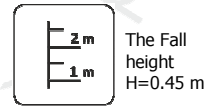
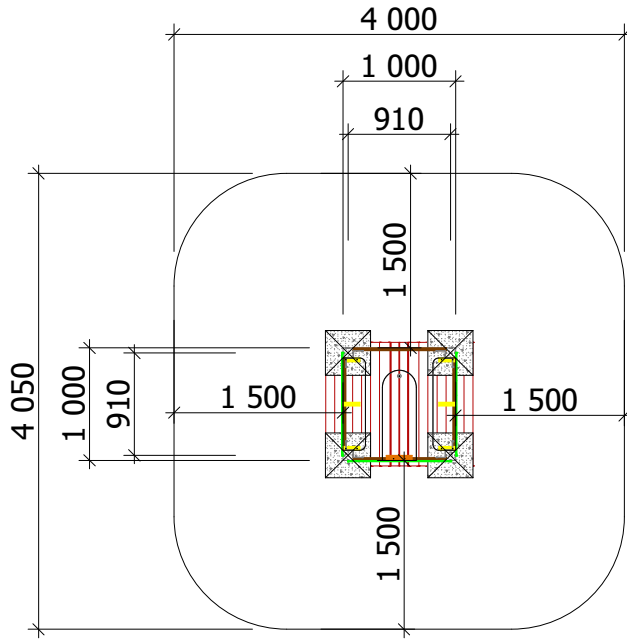


Construction are made from glued wood, galvanized steel and HDPE.



Minimal required area - 16 m²

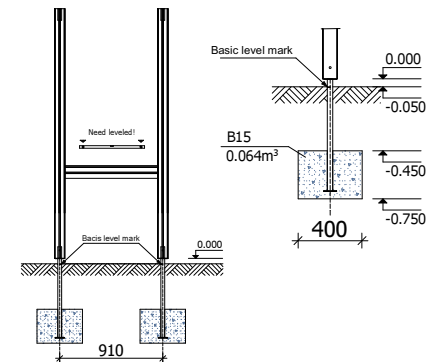
Garums: 1 000 mm
Platums: 1 000 mm
Augstums: 1 950 mm

Playground are provided for outdoor use in supervising of adults

Drošības zonas garums: 4 000 mm
Drošības zonas platums: 4 050 mm
Nepieciešamā drošības platība: 16 m²

Equipment safety checkings must be performed once in a week in high vandalism risk areas.

Maintainance are required once in every 3 months, depending on usage



Play equipment are established with concreted steel foundation in equipment location. Equipment are suitable for use in two days after concreting, when the foundation are totally solid. During assembling there are not children allowed in area.

Adequate temperature

T_{zemākā} - 33.2 °C
T_{augstākā} +58.7 °C



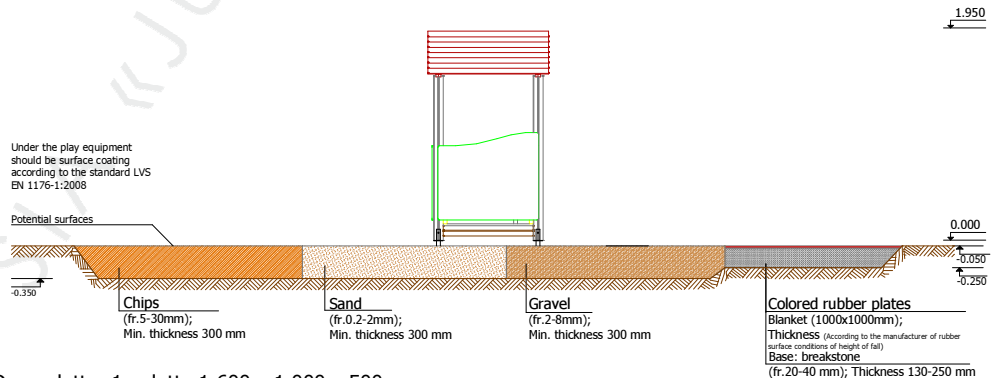
Snow load

1.10 kN/m²



Wing load

Stiprums 323.71 N



Transportation: One palette: 1 palette 1 600 x 1 000 x 500 mm

Spare parts: All needed spare parts and elements, when warranty time expires can be ordered in „Jūrmalas Mežaparki” Ltd., and all the goods will be ready for delivery in 3 days.