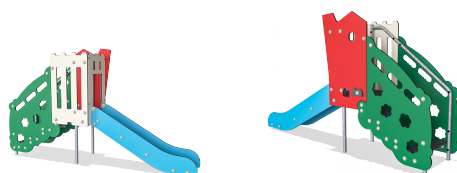
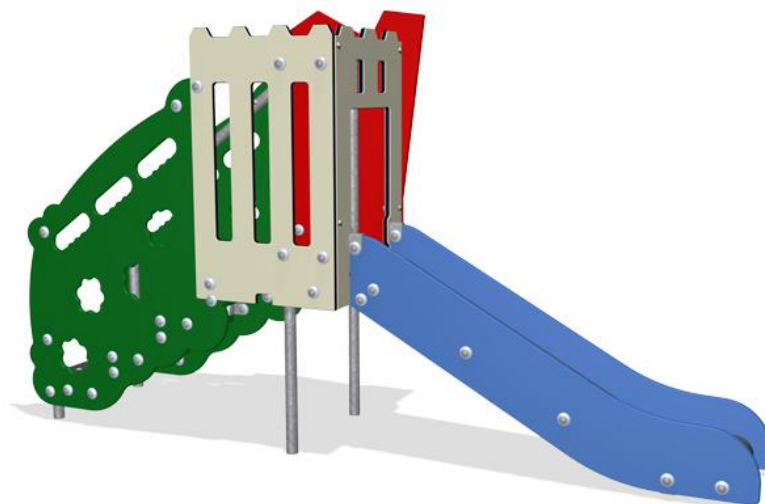


MSC540202

# House Slide - Under 2 years

**KOMPAN**<sup>®</sup>  
Let's play



<b>Product Line</b>	Themed Play
<b>Category</b>	Toddler play
<b>Age group</b>	1 - 4
<b>Max. fall height (CM)</b>	100
<b>Total height (CM)</b>	142
<b>Safety Zone</b>	16.8 m2



SLIDE



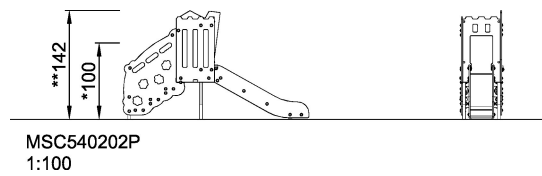
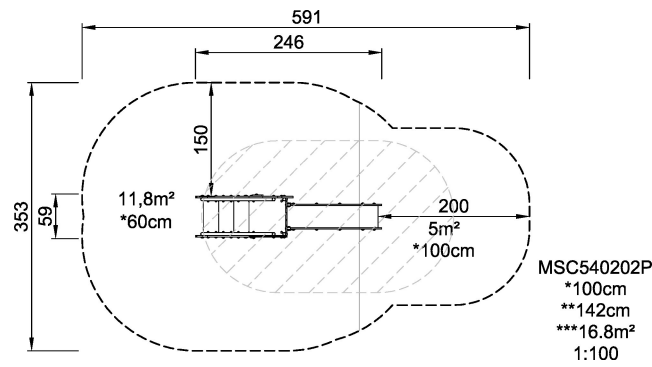
DRAMATIC  
PLAY



INCLUSIVE



**SUR-  
FACE**



\* = Highest designated play surface.  
\*\* = Total height of product.

<b>Weight/heaviest parts</b>	kg.	<b>Installation (Manpower)</b>	Persons
<b>Concrete required</b>	NaN m3	<b>Installation (Hours)</b>	Hours
<b>Foundation amount/footing</b>	NaN	<b>Excavation</b>	NaN m3