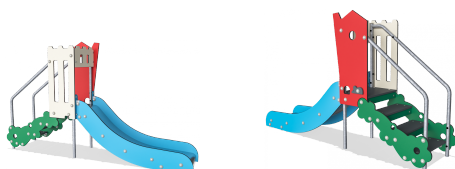


**MSC5402**  
**House Slide**



Sliding stimulates the sense of space and the focal tracking of children. The slide movement is for the brave toddlers: Letting go of your body is leaving your life in the hands of gravity - no wonder that this takes some courage. The entrance to the low slide is made of three low, easy steps.

<b>Product Line</b>	Themed Play
<b>Category</b>	Toddler play
<b>Age group</b>	1 - 4
<b>Max. fall height (CM)</b>	100
<b>Total height (CM)</b>	142
<b>Safety Zone</b>	14.4 m <sup>2</sup>



SLIDE



DRAMATIC PLAY



INCLUSIVE

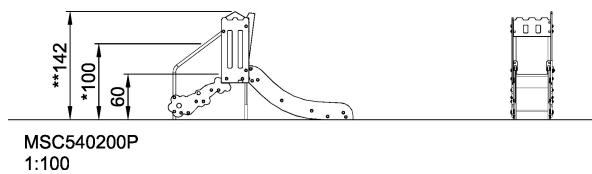
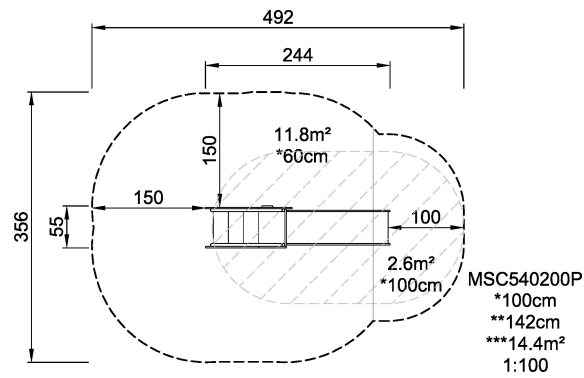


**SURFACE**



ADA / INCLUSIVE

**ASTM**



\* = Highest designated play surface.  
\*\* = Total height of product.

<b>Weight/heaviest parts</b>	kg.	<b>Installation (Manpower)</b>	Persons
<b>Concrete required</b>	NaN m <sup>3</sup>	<b>Installation (Hours)</b>	Hours
<b>Foundation amount/footing</b>	NaN	<b>Excavation</b>	NaN m <sup>3</sup>