

MSC5417

# Toddlers Castle Steel Slide

**KOMPAN**  
Let's play



The Toddlers' castle offers imaginative, physical, social and cognitive stimulation in abundance. The castle attracts the children through its imaginative design and makes it recognizable from afar. Another side of the structure presents a small table for sand play or social interaction. Sliding is additionally a favourite activity among children even at small ages. The sensation of whizzing through air makes for some unique laughter among the children. Many play values around the structure are found in the form of tactile elements.

<b>Product Line</b>	Themed Play
<b>Category</b>	Toddler play
<b>Age group</b>	1 - 4
<b>Max. fall height (CM)</b>	100
<b>Total height (CM)</b>	149
<b>Safety Zone</b>	19.7 m2



SOCIALIZE



SLIDE



CONSTRUCT



DRAMATIC PLAY



INCLUSIVE

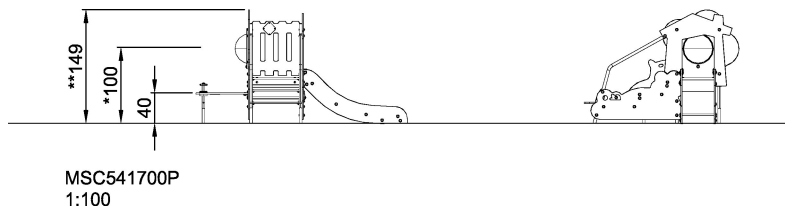
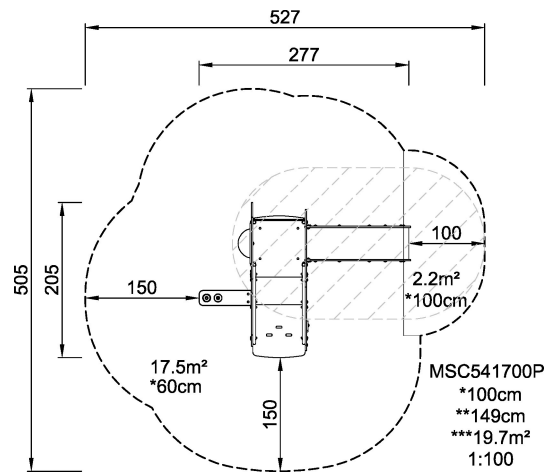


SUR-FACE



ADA / INCLUSIVE

ASTM



\* = Highest designated play surface.  
\*\* = Total height of product.

<b>Weight/heaviest parts</b>	kg.	<b>Installation (Manpower)</b>	Persons
<b>Concrete required</b>	NaN m <sup>3</sup>	<b>Installation (Hours)</b>	Hours
<b>Foundation amount/footing</b>	NaN	<b>Excavation</b>	NaN m <sup>3</sup>