

MSC541803
Sandpit



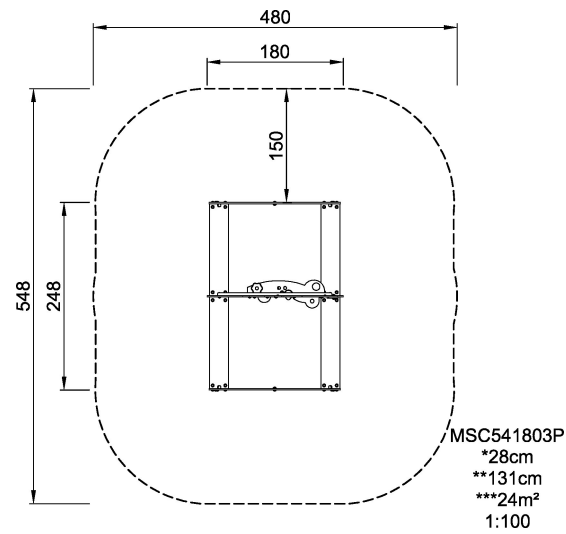
Product Line	Themed Play
Category	Toddler play
Age group	1 - 4
Max. fall height (CM)	28
Total height (CM)	131
Safety Zone	24 m ²



**SUR-
FACE**



ASTM



* = Highest designated play surface.
** = Total height of product.

Weight/heaviest parts	kg.	Installation (Manpower)	Persons
Concrete required	NaN m ³	Installation (Hours)	Hours
Foundation amount/footing	NaN	Excavation	NaN m ³