

MSC6404

Ocean and Jungle themes with net and tower

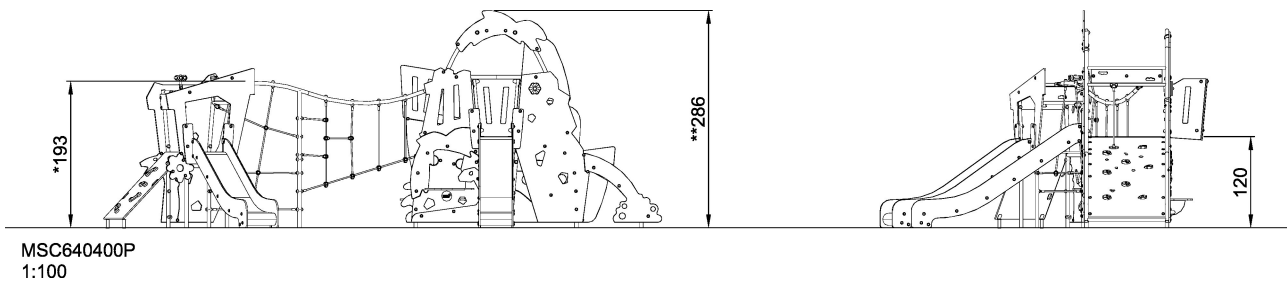
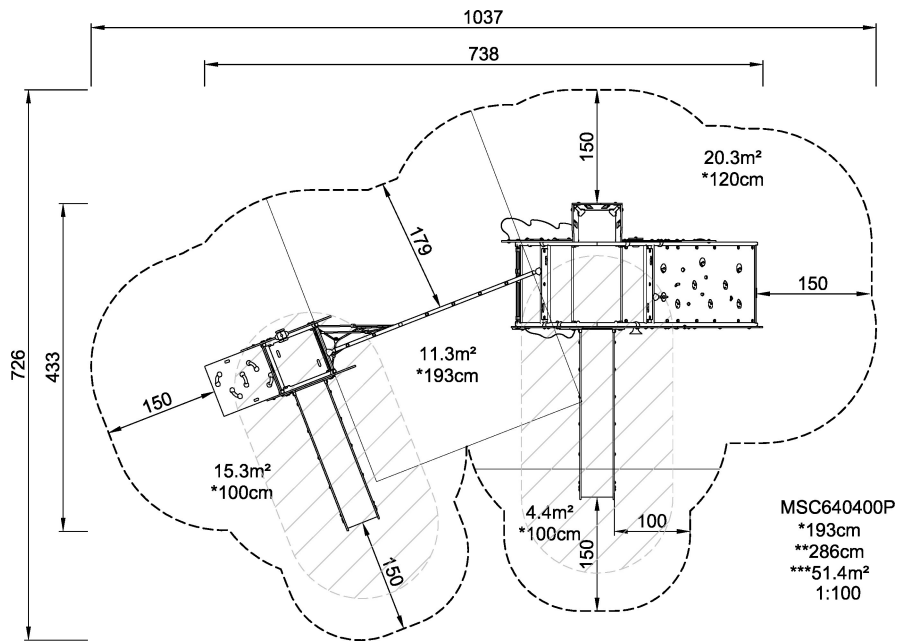


Ocean and Jungle are supported with a climbing net anchored up with a smaller tower. This connection extends the play variety and invites more players on. The climbing journey starts at the straight climbing wall of the little tower with slide. More climbing means coping with a 3 dimensional net, followed by a net section with a challenging pattern. After entering the single structure, the choice is: take the slide down or climb down the slanting climbing wall- forwards or backwards?

Product Line	Themed Play
Category	STORY MAKERS™
Age group	2 - 6
Max. fall height (CM)	193
Total height (CM)	286
Safety Zone	51.4 m2



**SUR-
FACE**



* = Highest designated play surface.
** = Total height of product.

Weight/heaviest parts	kg.	Installation (Manpower)	Persons
Concrete required	NaN m3	Installation (Hours)	Hours
Foundation amount/footing	NaN	Excavation	NaN m3