

MSC6405

Ocean and Home themes with net and tower

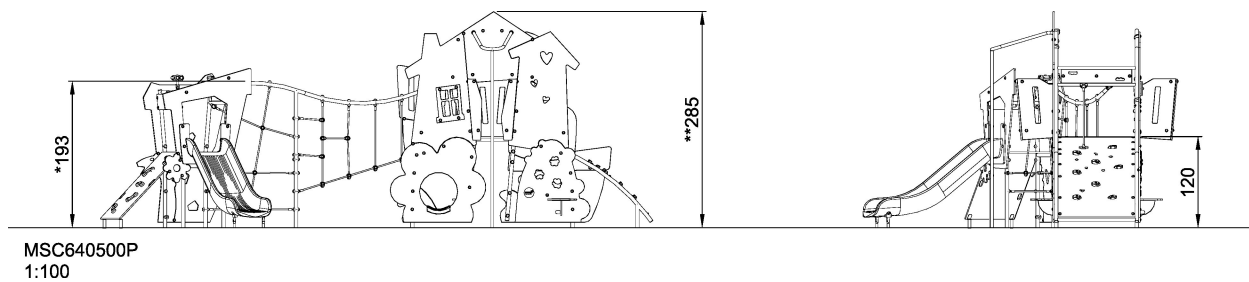
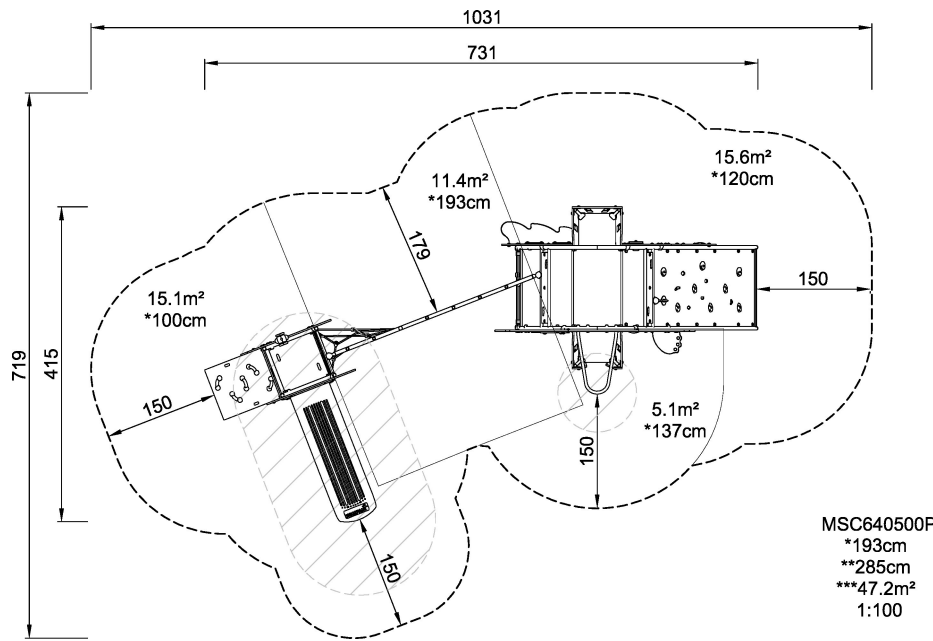


Ocean and Home along with climbing net and small tower provide lots of scope for both role play and physical play experience. The climbing net binds the two play areas together, attracting all to find their way into the rather unpredictable net pattern. The youngest children can choose the little tower's slide for a way out, while the older ones cope with the fireman's pole on the core structure. With play going on below, above and across the structure there is space for many play groups.

Product Line	Themed Play
Category	STORY MAKERS™
Age group	2 - 6
Max. fall height (CM)	193
Total height (CM)	285
Safety Zone	47.2 m2



**SUR-
FACE**



* = Highest designated play surface.
** = Total height of product.

Weight/heaviest parts	kg.	Installation (Manpower)	Persons
Concrete required	NaN m3	Installation (Hours)	Hours
Foundation amount/footing	NaN	Excavation	NaN m3