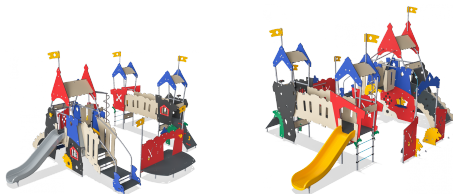


MSC6422

Story Makers Castle

KOMPAN
Let's play



The Story Makers Castle is the landmark of the crown land. The three bannered towers and a portal guarded by lions, the stage is set for endless play scenarios in the fantasy world of knights and princesses. The inner courtyard, flanked by multifunctional play sections, makes a great space for play. The interaction to the outside of the castle is created through numerous counters, seats, role play corners and egresses. The climbing walls or ladders for the valiant ensure play for many children and their zest for imaginative play for a long time.

Product Line	Themed Play
Category	STORY MAKERS™
Age group	2 - 6
Max. fall height (CM)	237
Total height (CM)	405
Safety Zone	75.1 m2



SOCIALIZE



CLIMB



SLIDE



CONSTRUCT



DRAMATIC PLAY



INCLUSIVE

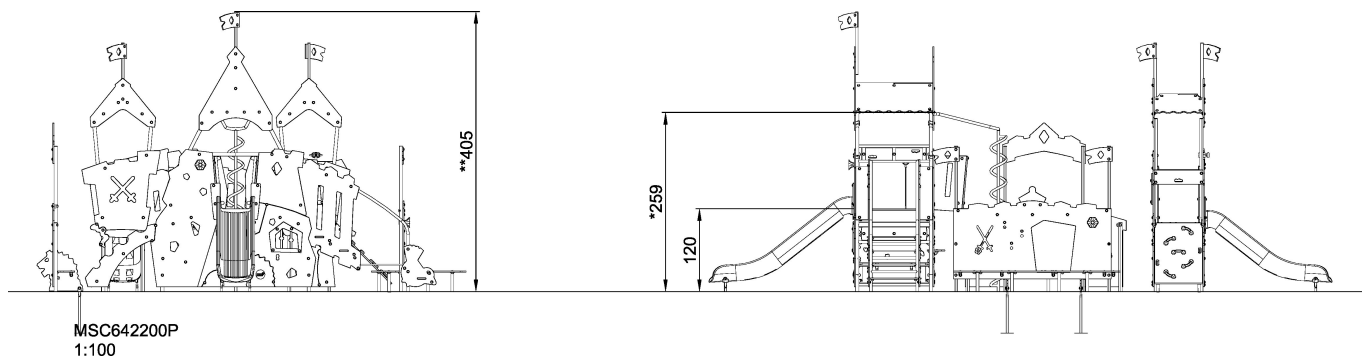
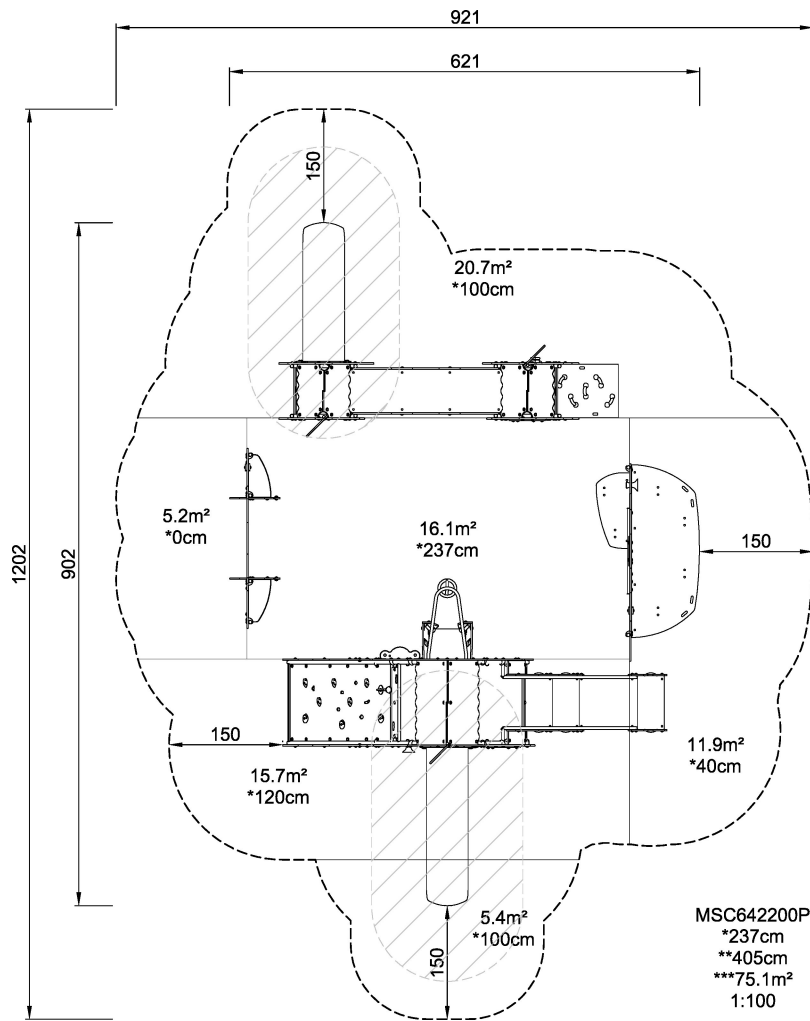


SURFACE



ADA / INCLUSIVE

ASTM



* = Highest designated play surface.
** = Total height of product.

Weight/heaviest parts	kg.	Installation (Manpower)	Persons
Concrete required	NaN m3	Installation (Hours)	Hours
Foundation amount/footing	NaN	Excavation	NaN m3

