

MSV601

# Home and Garden

**KOMPAN**<sup>®</sup>  
Let's play



The Home and Garden hold an eternal attraction. They are recognizable and close to the toddler world. The Garden side has a door bell, a flag that can be hoisted up and down, a post box, a string with play sphere, a green see-through peep hole and a pot, which can be removed from its holder. The Home side has an indoor post box, shoes with laces, a switch, a green see-through peep hole, a blue tube to pass items through to the other side, and a mirror. A Play Book text with curriculum supportive games can be ordered.

<b>Product Line</b>	Themed Play
<b>Category</b>	Toddler play for supervised areas
<b>Age group</b>	1 - 4
<b>Total height (CM)</b>	121
<b>Safety Zone</b>	14.8 m <sup>2</sup>



INCLUSIVE

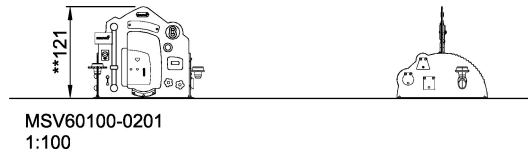
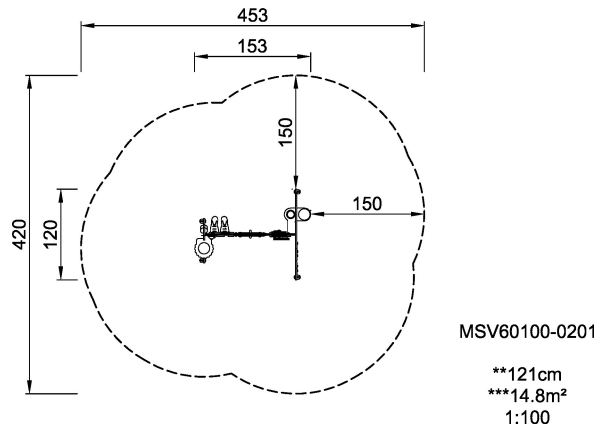


**SUR-  
FACE**



ADA / INCLUSIVE

**ASTM**



\* = Highest designated play surface.  
\*\* = Total height of product.

<b>Weight/heaviest parts</b>	kg.	<b>Installation (Manpower)</b>	Persons
<b>Concrete required</b>	NaN m3	<b>Installation (Hours)</b>	Hours
<b>Foundation amount/footing</b>	NaN	<b>Excavation</b>	NaN m3