



The Service and Workshop hold an eternal attraction. The Service side holds a measure meter to see if the wheels are okay, a bell to ring for service, a hole to leave your car keys in, if it is to be handed over for service and not least a petrol handle. The Workshop side has a Steering Wheel for testing the car and Gearing Wheels on the side tale. A Play Book text with curriculum supportive games, made by the KOMPAN Play Institute can be ordered.

Product Line	Freestanding Play Equipment
Category	Toddler Stations
Age group	1 - 4
Total height (CM)	121
Safety Zone	15.1 m ²



INCLUSIVE

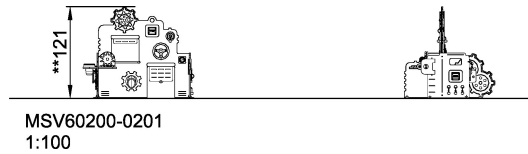
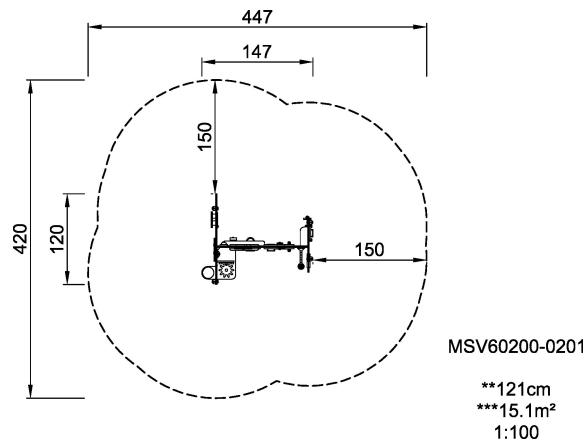


**SUR-
FACE**



ADA / INCLUSIVE

ASTM



* = Highest designated play surface.
** = Total height of product.

Weight/heaviest parts	kg.	Installation (Manpower)	Persons
Concrete required	NaN m ³	Installation (Hours)	Hours
Foundation amount/footing	NaN	Excavation	NaN m ³