

This play equipment spur role and construction play. The friendly flowers, clovers and birds support the decorative feeling of an organic factory. The construction play is invited in the blue tubes and the see-through tubes. The toddlers pass items of various sizes and materials through. The side tables with moveable pots offer yet another possibility of filling and emptying. The unit invites numerous play activities such as peek-a-boo, supported by the many peek-holes and openings. A Play Book text with curriculum supportive games, made by the KOMPAN Play Institute can be ordered.

Product Line	Themed Play
Category	Toddler play for supervised areas
Age group	1 - 4
Total height (CM)	121
Safety Zone	14.9 m ²

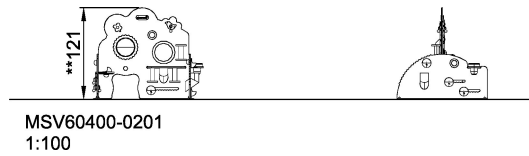
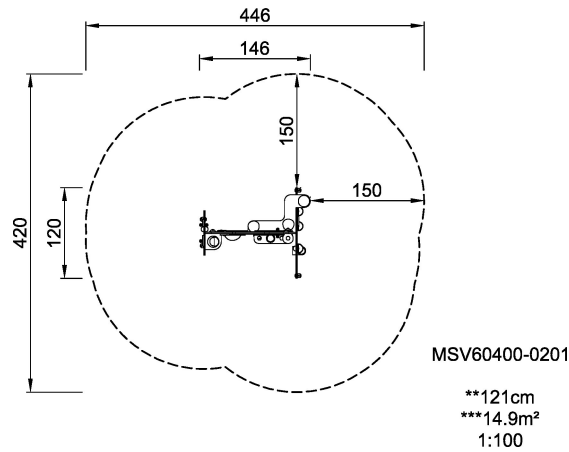


INCLUSIVE

SUR-
FACE

ADA / INCLUSIVE

ASTM



* = Highest designated play surface.
** = Total height of product.

Weight/heaviest parts	kg.	Installation (Manpower)	Persons
Concrete required	NaN m ³	Installation (Hours)	Hours
Foundation amount/footing	NaN	Excavation	NaN m ³