
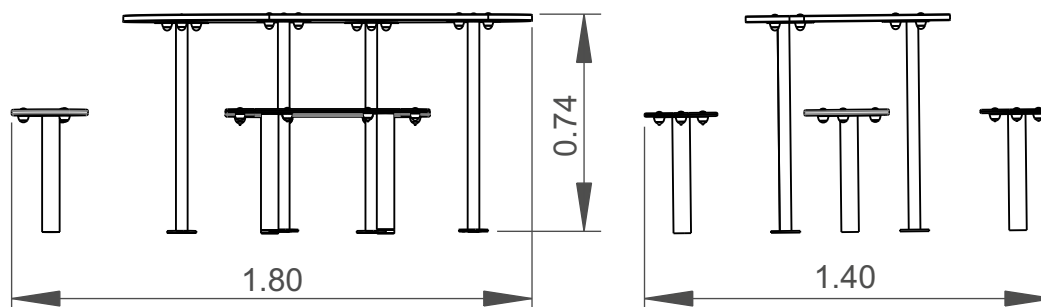


Danaus

ref. MURMD1800

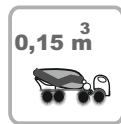
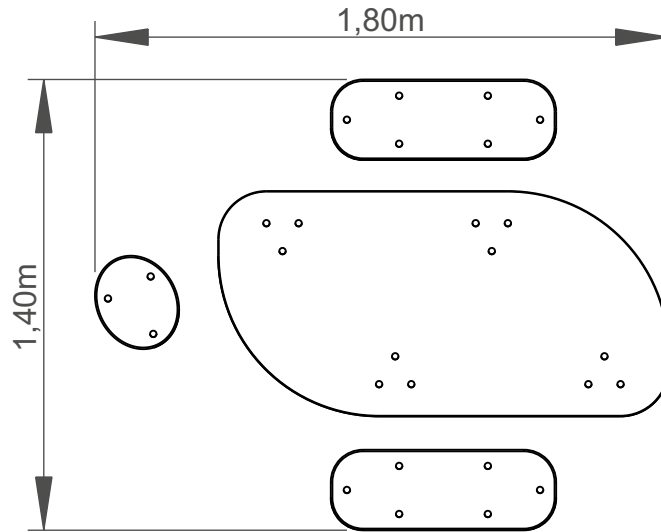


| Nº | Referência | Comprimento (mm) | Largura (mm) | Altura (mm) | Tipo |  |
|----|-------------|------------------|--------------|-------------|-------|---|
| 1 | MURMEMD1400 | 1400 | 700 | 743 | Mesa | |
| 2 | MURBMD700 | 700 | 250 | 414 | Banco | |
| 3 | MURBMF590 | 300 | 250 | 420 | Banco | |



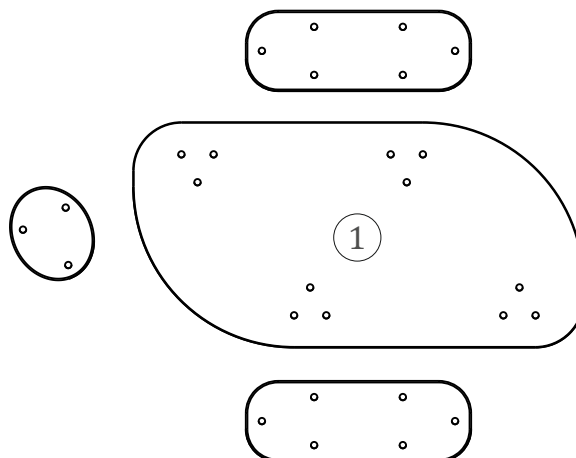
Data Sheet

Equipment Information:



Technical Information:

1 - Danaus Table Set



Technical Characteristics:



Seat

HDPE: Monocolour/bicolour high density polyethylene. It is a polymer so it is characterized by its resistance to corrosion and chemical products. By its capacity of elasticity and lightweight, it offers high resistance to impacts, and, therefore, very difficult to break. The synthetic base prevents growth of bacteria and fungus. No need for maintenance;

Table

Marine plywood: Bonded with phenolic resins resistant to the weather and U.V., according to EL 314-2/classe 3 (DIN 68 TS TCIL3: BFU 100, BS 6566 PART 8 : WBP);

Metal Parts

Structure

Iron: Anticorrosive treatment of hot dip galvanizing in accordance with EN ISO 1461;

Fixation System:

Type B - Standard fixation system composed by steel base screwed to the ground with steel anchors;

Type C - Standard fixation system composed by posts applied directly in the ground with concrete;

Screws and accessories

Screws: Galvanized steel or optionally stainless steel AISI 304;

Capsules: PP Polypropylene plastic;



100% recyclable;

