

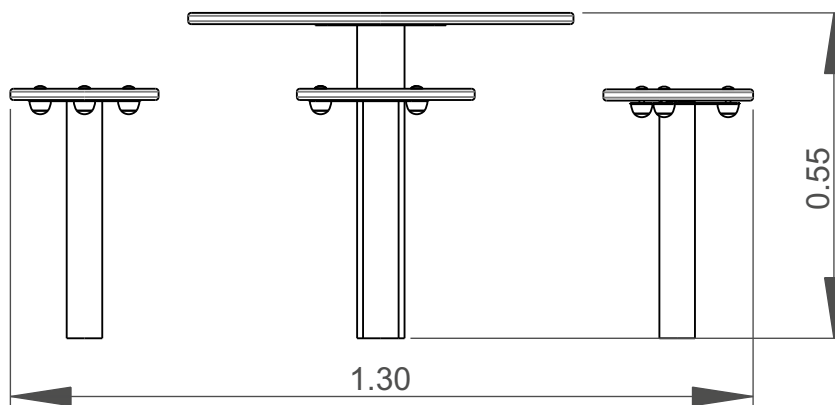
Fucus

ref. MURMU1300

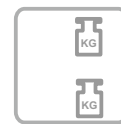
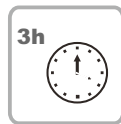
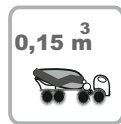
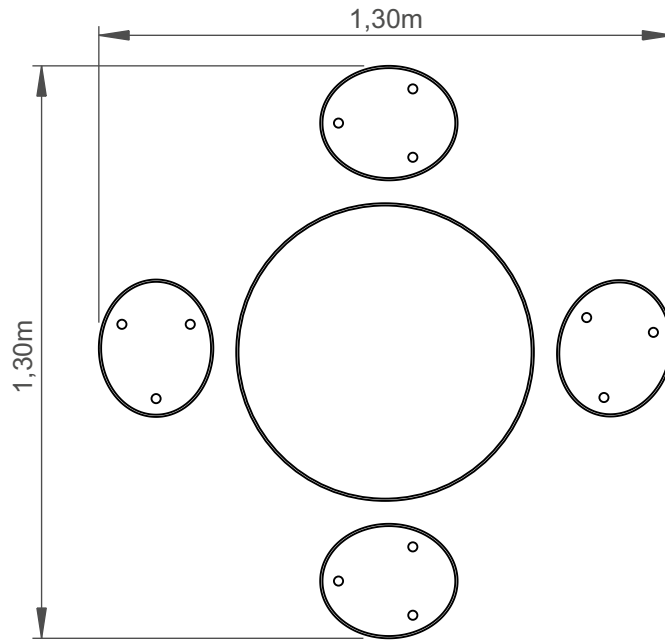


Data Sheet

Nº	Referência	Comprimento (mm)	Largura (mm)	Altura (mm)	Tipo
1	MURMEMF650	650	650	550	Mesa
2	MURBMF590	300	250	420	Banco

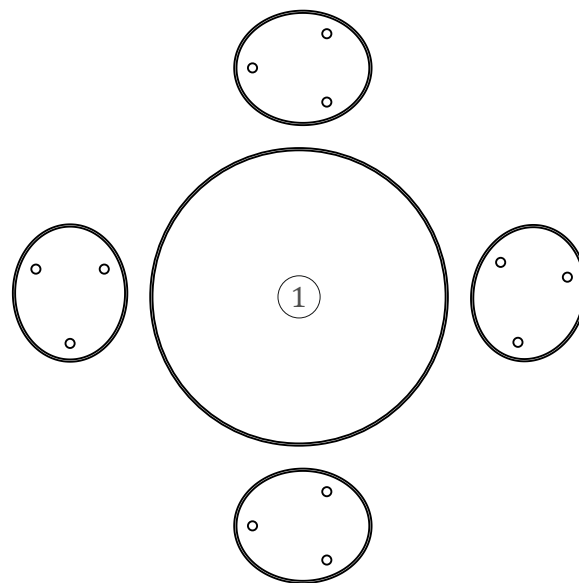


Equipment Information:



Technical Information:

1 - Fucus Table Set



Technical Characteristics:



Seat/Table

HDPE: Monocolour/bicolour high density polyethylene. It is a polymer so it is characterized by its resistance to corrosion and chemical products. By its capacity of elasticity and lightweight, it offers high resistance to impacts, and, therefore, very difficult to break. The synthetic base prevents growth of bacteria and fungus. No need for maintenance;

Metal Parts

Structure

Iron: Anticorrosive treatment of hot dip galvanizing in accordance with EN ISO 1461;

Fixation System:

Type B - Standard fixation system composed by steel base screwed to the ground with steel anchors;

Type C - Standard fixation system composed by posts applied directly in the ground with concrete;

Screws and accessories

Screws: Galvanized steel or optionally stainless steel AISI 304;

Capsules: PP Polypropylene plastic;



100% recyclable;

