

# NAT101 Donkey Ride

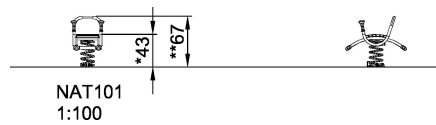
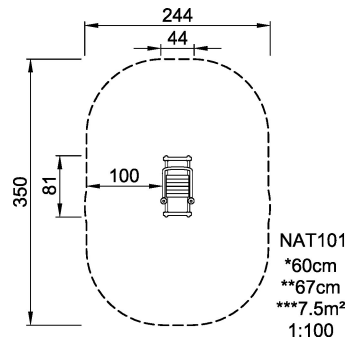


The Donkey Ride Springer provides a seated rocking experience, with handholds placed to in- or decrease the rocking movement.

<b>Product Line</b>	Traditional Play
<b>Category</b>	Springers
<b>Age group</b>	2 - 6
<b>Max. fall height (CM)</b>	60
<b>Total height (CM)</b>	67
<b>Safety Zone</b>	7.5 m <sup>2</sup>



**SUR-  
FACE**



\* = Highest designated play surface.  
\*\* = Total height of product.

<b>Weight/heaviest parts</b>	kg.	<b>Installation (Manpower)</b>	Persons
<b>Concrete required</b>	NaN m <sup>3</sup>	<b>Installation (Hours)</b>	Hours
<b>Foundation amount/footing</b>	NaN	<b>Excavation</b>	NaN m <sup>3</sup>