

NAT102
Elephant Ride

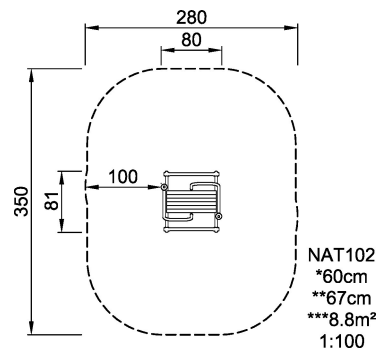


The Elephant Ride Springer is a broad seat with two back supports and two foot supports and handles, making it possible for two kids to be seated opposite each other rocking.

Product Line	Traditional Play
Category	Springers
Age group	2 - 6
Max. fall height (CM)	60
Total height (CM)	67
Safety Zone	8.8 m2



**SUR-
FACE**



* = Highest designated play surface.
** = Total height of product.

Weight/heaviest parts	kg.	Installation (Manpower)	Persons
Concrete required	NaN m ³	Installation (Hours)	Hours
Foundation amount/footing	NaN	Excavation	NaN m ³