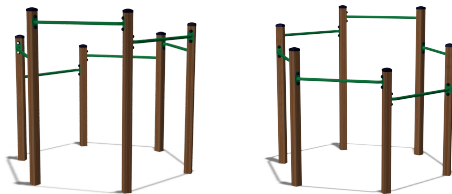


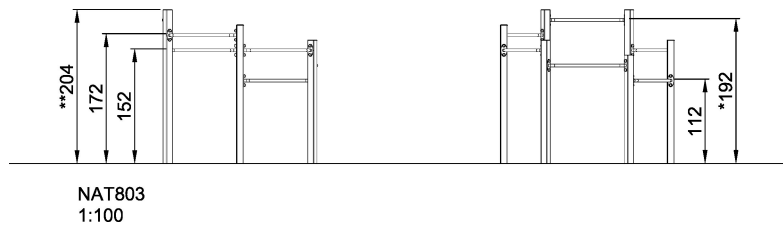
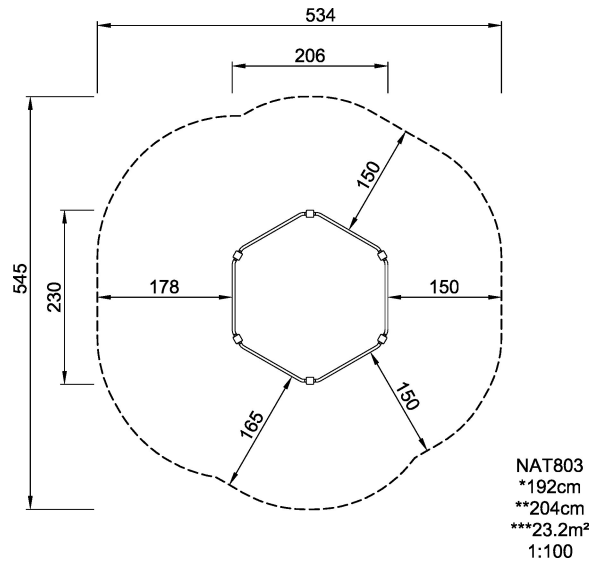
NAT803
Tumling



Product Line	Traditional Play
Category	Balancing & movement
Age group	4 - 15
Max. fall height (CM)	192
Total height (CM)	204
Safety Zone	23.2 m2



**SUR-
FACE**



* = Highest designated play surface.
** = Total height of product.

Weight/heaviest parts	kg.	Installation (Manpower)	Persons
Concrete required	NaN m ³	Installation (Hours)	Hours
Foundation amount/footing	NaN	Excavation	NaN m ³