

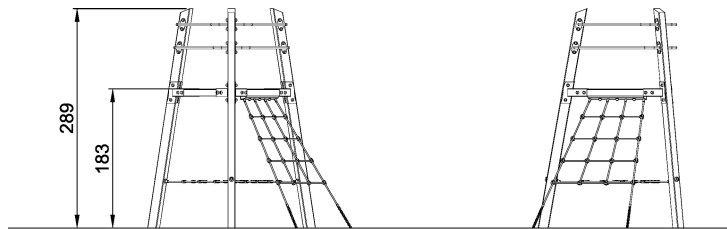
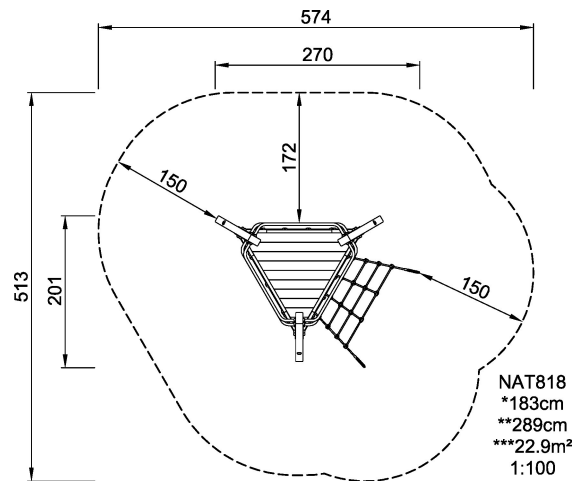


The Lookout is an ideal meeting place - a special place removed from the rest of the world. Sitting at the top of the Lookout tower children can see for quite a distance. The net slung at the bottom acts like a hammock where two, perhaps three, can sit and have fun, and especially for those who cannot climb up high the net offers a way of joining in the game.

Product Line	Traditional Play
Category	Climbing structures & nets
Age group	6 - 12
Max. fall height (CM)	183
Total height (CM)	289
Safety Zone	22.9 m ²



**SUR-
FACE**



NAT818
1:100

* = Highest designated play surface.
** = Total height of product.

Weight/heaviest parts	kg.	Installation (Manpower)	Persons
Concrete required	NaN m ³	Installation (Hours)	Hours
Foundation amount/footing	NaN	Excavation	NaN m ³