

NAT821

# Action Pyramid



This playground item is a little Mount Everest and children never tire of the exciting, graded challenges it contains. The journey on the North face passes over a dramatically angled rock wall, which is only possible to climb due to a taut length of rope. The South wall can be climbed step-by step with the aid of sturdy blue handgrips, and when the daring explorer finally reaches the top, the view of the playground, which meets the eye, has made all effort worthwhile.

|                              |                            |
|------------------------------|----------------------------|
| <b>Product Line</b>          | Traditional Play           |
| <b>Category</b>              | Climbing structures & nets |
| <b>Age group</b>             | 6 - 12                     |
| <b>Max. fall height (CM)</b> | 231                        |
| <b>Total height (CM)</b>     | 294                        |
| <b>Safety Zone</b>           | 19.1 m <sup>2</sup>        |



SOCIALIZE



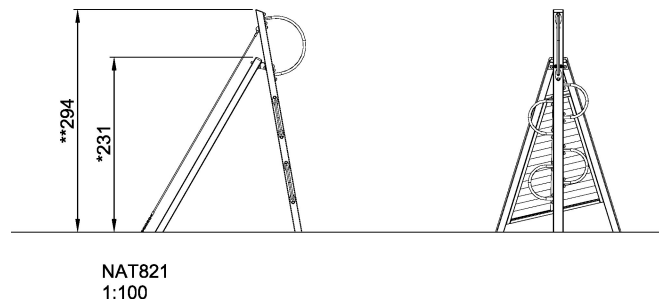
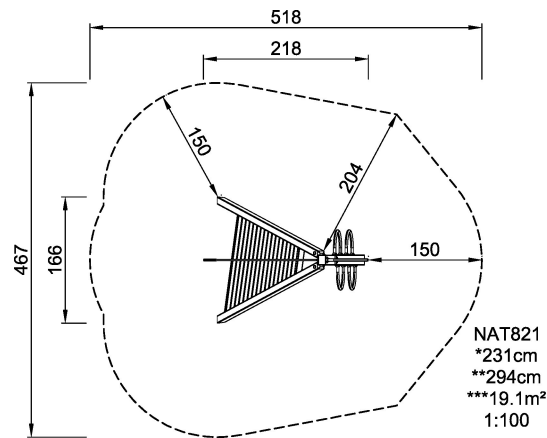
BALANCE



CLIMB



**SUR-  
FACE**



\* = Highest designated play surface.  
\*\* = Total height of product.

|                                  |                    |                                |                    |
|----------------------------------|--------------------|--------------------------------|--------------------|
| <b>Weight/heaviest parts</b>     | kg.                | <b>Installation (Manpower)</b> | Persons            |
| <b>Concrete required</b>         | NaN m <sup>3</sup> | <b>Installation (Hours)</b>    | Hours              |
| <b>Foundation amount/footing</b> | NaN                | <b>Excavation</b>              | NaN m <sup>3</sup> |