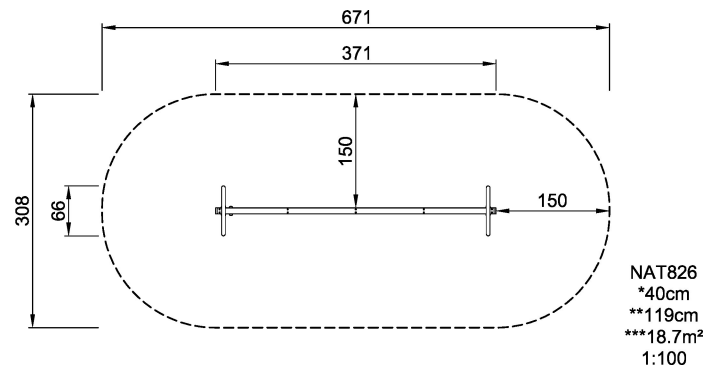




Product Line	Sport & Fitness
Category	Obstacle Courses
Age group	4+
Max. fall height (CM)	40
Total height (CM)	119
Safety Zone	18.7 m2





* = Highest designated play surface.
** = Total height of product.

Weight/heaviest parts	kg.	Installation (Manpower)	1 Persons
Concrete required	NaN m3	Installation (Hours)	2 Hours
Foundation amount/footing	NaN	Excavation	NaN m3