

**NRO1006**

# Tower with slide, fireman's pole and net access

**KOMPAN**<sup>®</sup>  
Let's play

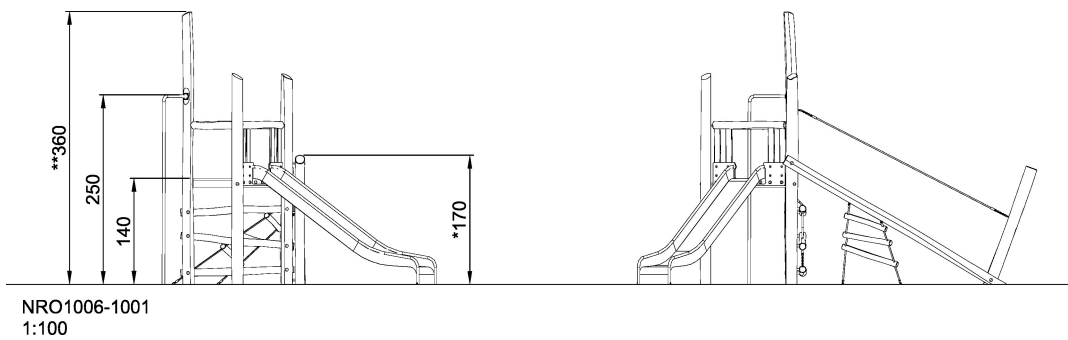
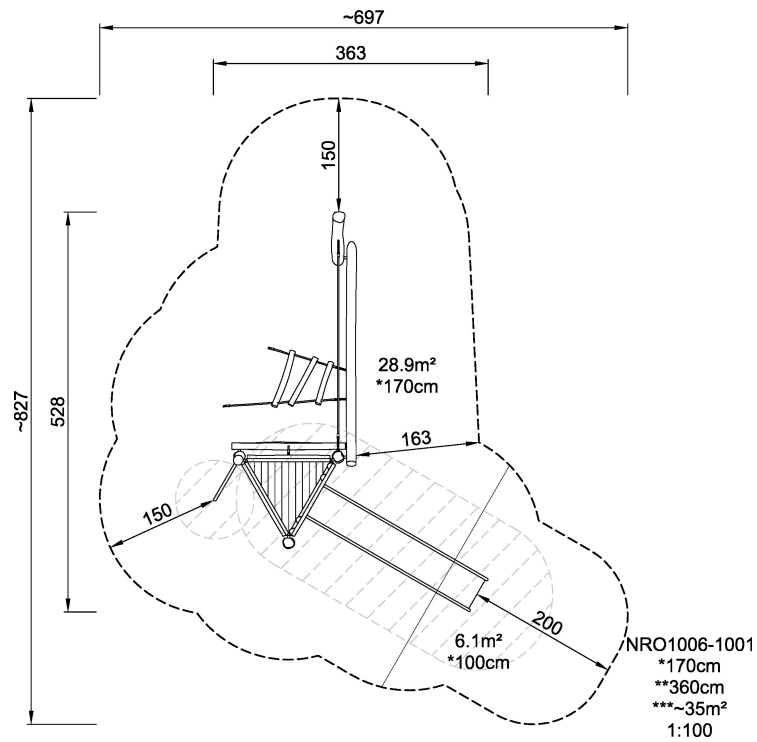


The product is available as FSC® Certified (FSC® C004450) robinia wood on request.

<b>Product Line</b>	Organic Robinia
<b>Category</b>	Multi play structures
<b>Age group</b>	4 - 10
<b>Max. fall height (CM)</b>	170
<b>Total height (CM)</b>	360
<b>Safety Zone</b>	35 m <sup>2</sup>



IN-  
GROU.



\* = Highest designated play surface.  
\*\* = Total height of product.

<b>Weight/heaviest parts</b>	kg.	<b>Installation (Manpower)</b>	Persons
<b>Concrete required</b>	NaN m3	<b>Installation (Hours)</b>	Hours
<b>Foundation amount/footing</b>	NaN	<b>Excavation</b>	NaN m3