

NRO1017

The Witch's Tower

KOMPAN[®]
Let's play

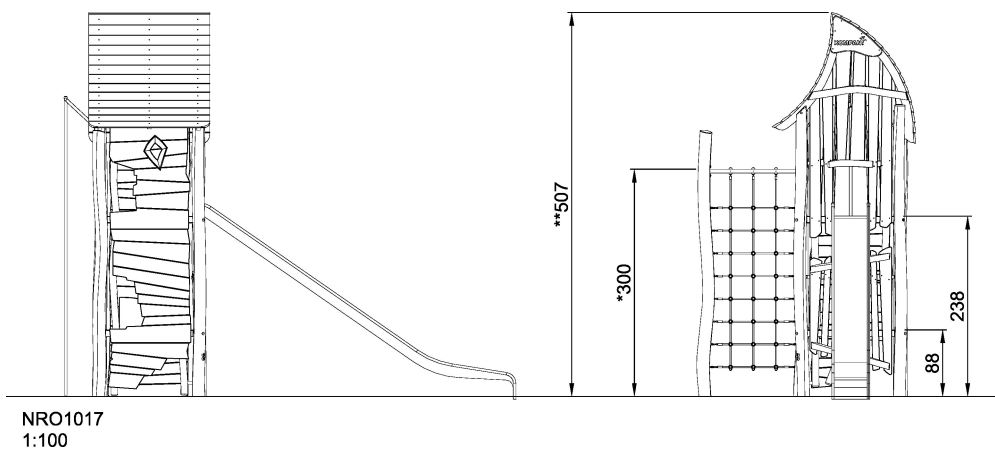
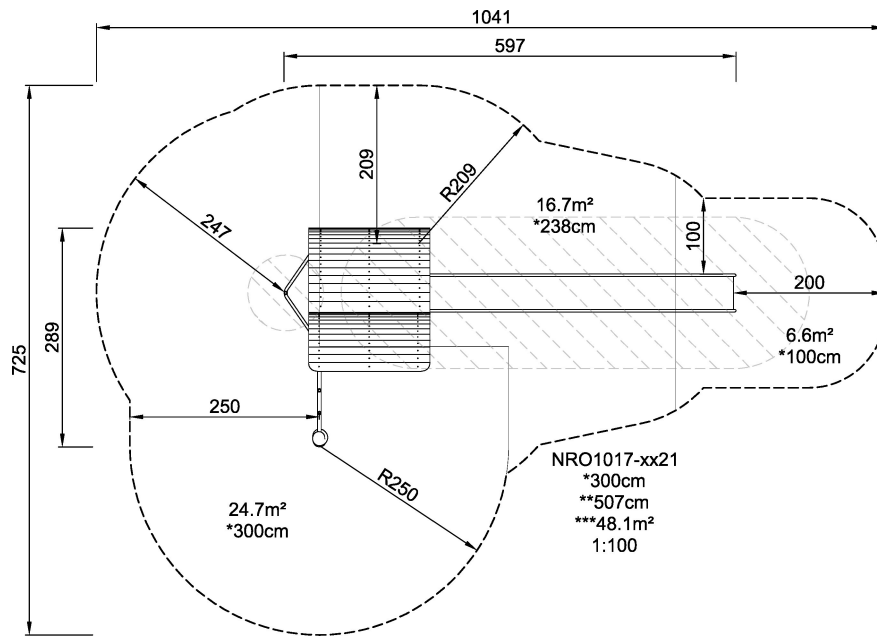


Multi deck tower with slide, net and fireman's pole. The 1st platform level is a playhouse with windows & seat. The 2nd level with two egress activities. The product is available in 3 versions: 1: Untreated Robinia wood. 2: Brown oiled wood. 3: Combined color and untreated wood. FSC® Certified (FSC® C004450) robinia wood on request.

Product Line	Organic Robinia
Category	Multi play structures
Age group	4 - 10
Max. fall height (CM)	300
Total height (CM)	507
Safety Zone	48.1 m ²



IN-
GROU.



* = Highest designated play surface.
** = Total height of product.

Weight/heaviest parts	kg.	Installation (Manpower)	Persons
Concrete required	NaN m3	Installation (Hours)	Hours
Foundation amount/footing	NaN	Excavation	NaN m3