

NRO1018

# Play tower with slide & banister bars ADA



This Tower with slide and banister bars is a dense play unit with space for a break at the table at ground level and two popular ways of sliding down. The unit allows for children with walkers or wheelchairs using the stairway. This implies an accessible stairway with a broad transfer platform and good handholds to support the child when entering the stairway from a walker/wheelchair. The stairway is wide enough for an adult carer to assist a child upwards. FSC® Certified (FSC® C004450) robinia wood on request.

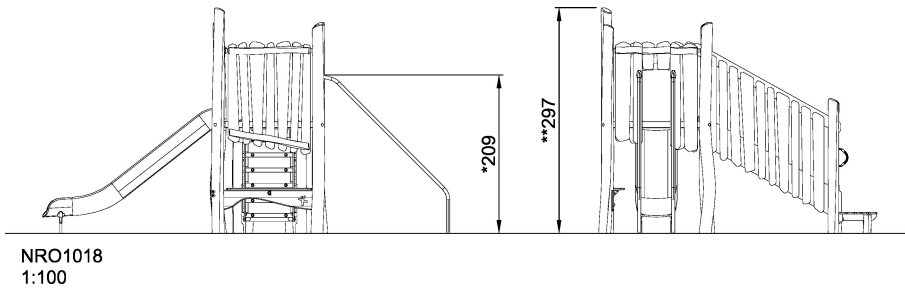
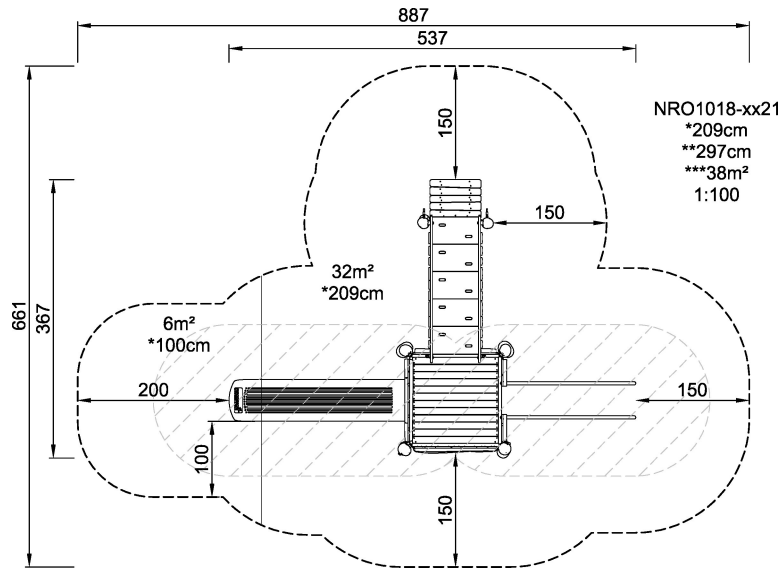
<b>Product Line</b>	Organic Robinia
<b>Category</b>	Multi play structures
<b>Age group</b>	4 - 10
<b>Max. fall height (CM)</b>	209
<b>Total height (CM)</b>	297
<b>Safety Zone</b>	38 m2



IN-  
GROU.



ASTM



\* = Highest designated play surface.  
\*\* = Total height of product.

<b>Weight/heaviest parts</b>	kg.	<b>Installation (Manpower)</b>	Persons
<b>Concrete required</b>	NaN m3	<b>Installation (Hours)</b>	Hours
<b>Foundation amount/footing</b>	NaN	<b>Excavation</b>	NaN m3