

**NRO1020**

# Play tower with slide & desk ADA

**KOMPAN**<sup>®</sup>  
Let's play



The tower provides a nice ground level desk for playful interaction. But apart from that, from elevated level of the structure the child can chose between a traditional slide down or, alternatively, the supportive curly climber: the curly climber provides a good grip and a good seating support. It's designed to allow for children with walkers or wheelchairs either playing at the table or using the stairway, which complies with the American's with Disabilities' Act Guidelines for Accessibility. The product is available as FSC® Certified (FSC® C004450) robinia wood on request.

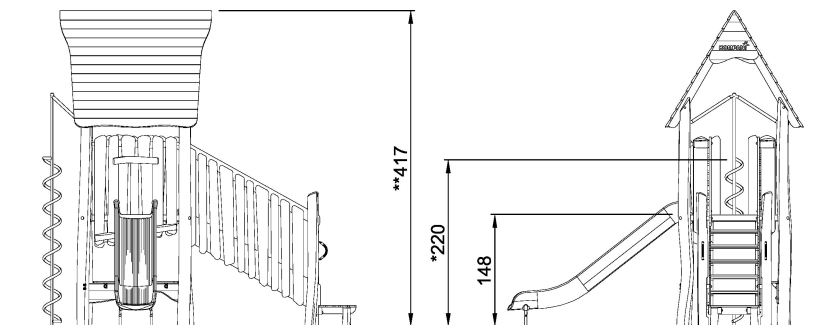
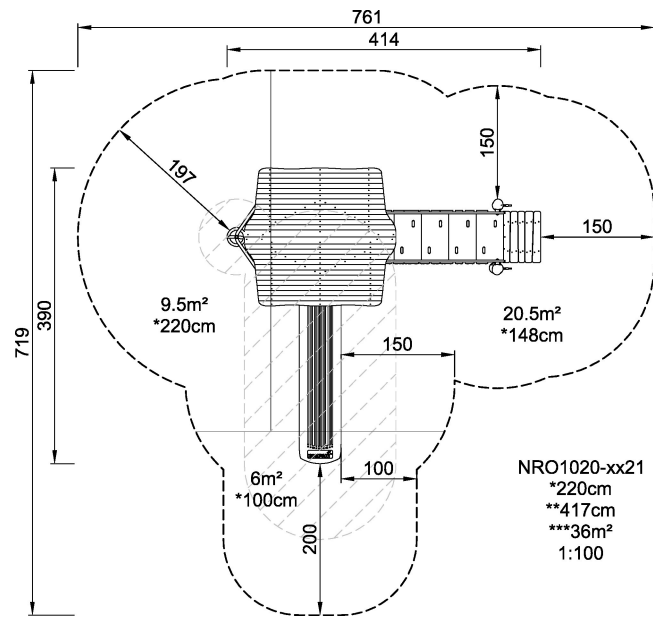
<b>Product Line</b>	Organic Robinia
<b>Category</b>	Multi play structures
<b>Age group</b>	3 - 10
<b>Max. fall height (CM)</b>	220
<b>Total height (CM)</b>	417
<b>Safety Zone</b>	36 m2



IN-  
GROU.



ASTM



NRO1020  
1:100

\* = Highest designated play surface.  
\*\* = Total height of product.

<b>Weight/heaviest parts</b>	kg.	<b>Installation (Manpower)</b>	Persons
<b>Concrete required</b>	NaN m3	<b>Installation (Hours)</b>	Hours
<b>Foundation amount/footing</b>	NaN	<b>Excavation</b>	NaN m3