

**NRO1021**

# Play tower with slide & curly climber ADA



This tall tower provides two sorts of interesting sliding: a traditional slide down or, alternatively, the supportive curly climber: the curly climber provides a good grip and a good seating support. It's designed to allow for children with walkers or wheelchairs either playing at the table or using the stairway, which complies with the American's with Disabilities' Act Guidelines for Accessibility. The product is available as FSC® Certified (FSC® C004450) robinia wood on request.

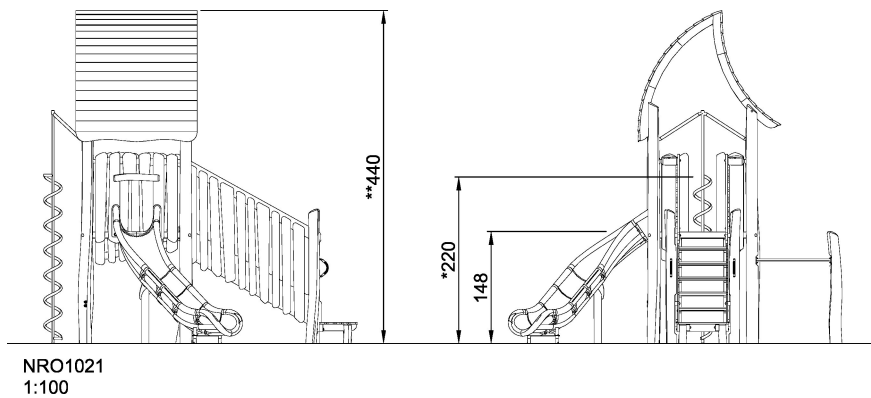
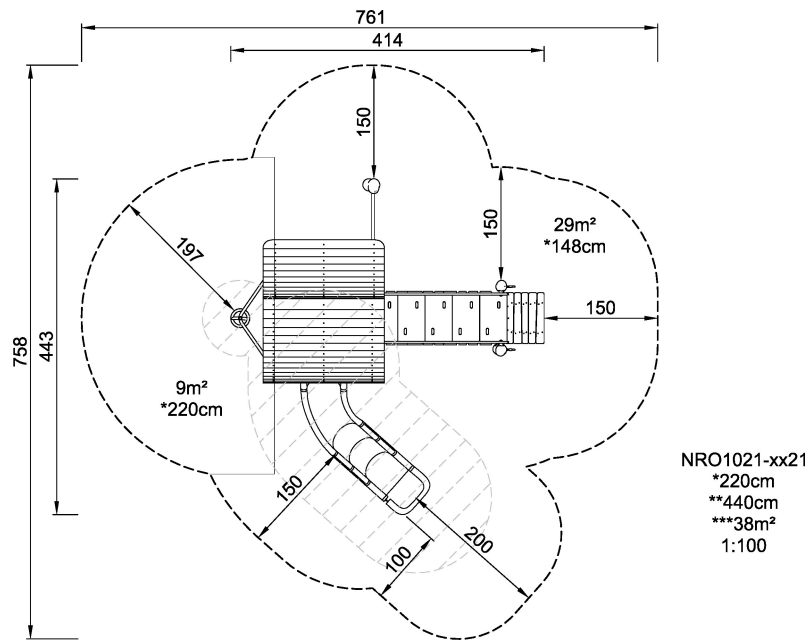
<b>Product Line</b>	Organic Robinia
<b>Category</b>	Multi play structures
<b>Age group</b>	3 - 10
<b>Max. fall height (CM)</b>	220
<b>Total height (CM)</b>	440
<b>Safety Zone</b>	38 m2



IN-GROU.



ASTM



\* = Highest designated play surface.  
\*\* = Total height of product.

<b>Weight/heaviest parts</b>	kg.	<b>Installation (Manpower)</b>	Persons
<b>Concrete required</b>	NaN m <sup>3</sup>	<b>Installation (Hours)</b>	Hours
<b>Foundation amount/footing</b>	NaN	<b>Excavation</b>	NaN m <sup>3</sup>