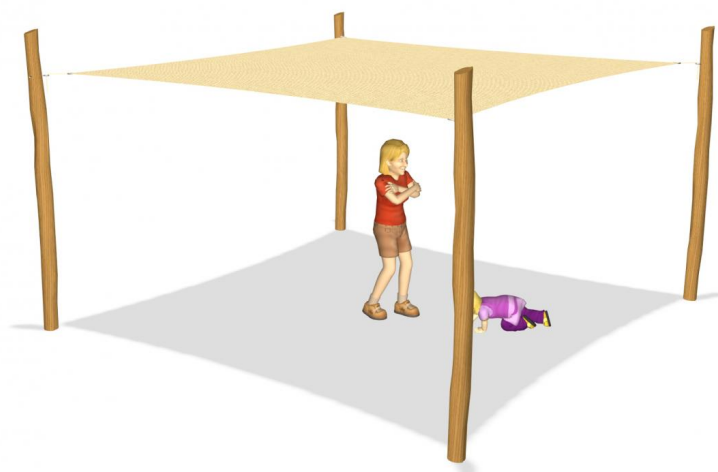


NRO202

Square sunshade

KOMPAN[®]
Let's play



The sunshade is supported by 4 Robinia wood posts with easy to fix & remove rope fastener system. The sail is made of white 100% polyester with a density of approximately 200 g/m². The sail is authorized to use the UV-label grade 80 in accordance with UV standard 801 under the test report number 738740-1.

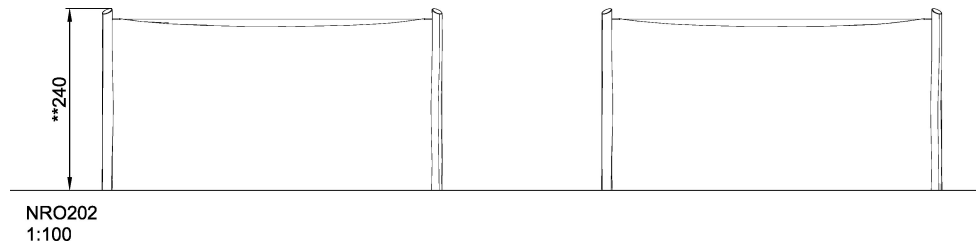
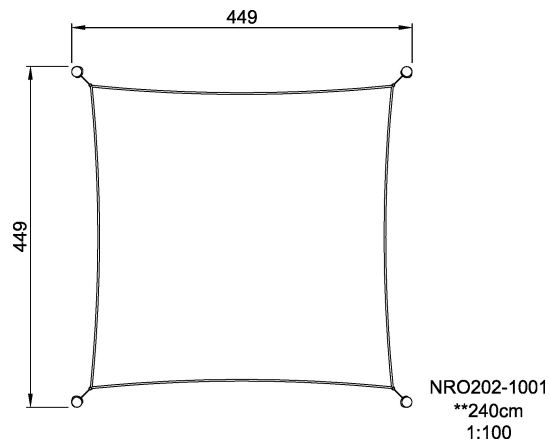
Product Line Organic Robinia

Category Sunshades

Total height (CM)240



**IN-
GROU.**



* = Highest designated play surface.
** = Total height of product.

Weight/heaviest parts	kg.	Installation (Manpower)	Persons
Concrete required	NaN m3	Installation (Hours)	Hours
Foundation amount/footing	NaN	Excavation	NaN m3