

NRO405 Village House



Elevated playhouse with classic roof. The house can be entered by the staircase or the angled ramp. The product is available in 3 versions: 1: Untreated Robinia wood. 2: Brown oiled wood. 3: Combined color and untreated wood. FSC® Certified (FSC® C004450) robinia wood on request.

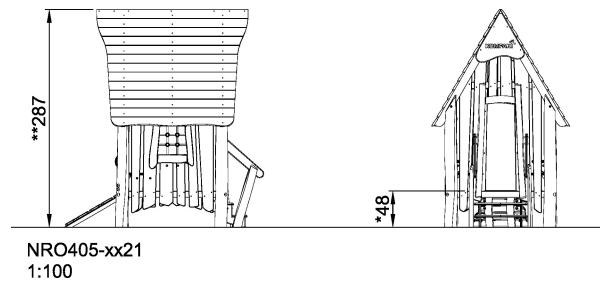
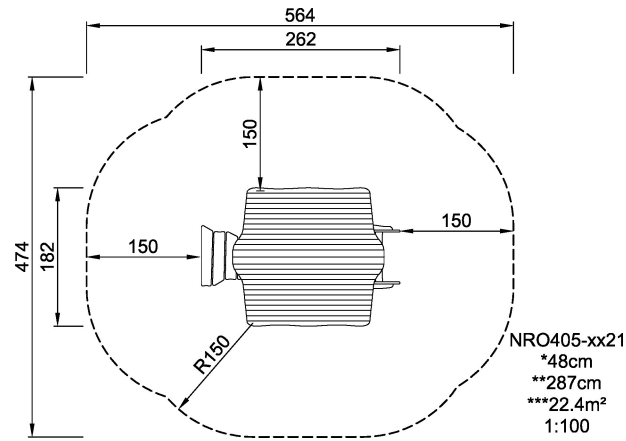
Product Line	Organic Robinia
Category	Playhouses
Age group	2 - 8
Max. fall height (CM)	48
Total height (CM)	287
Safety Zone	22.4 m ²



IN-
GROU.



ASTM



* = Highest designated play surface.
** = Total height of product.

Weight/heaviest parts	kg.	Installation (Manpower)	Persons
Concrete required	NaN m ³	Installation (Hours)	Hours
Foundation amount/footing	NaN	Excavation	NaN m ³