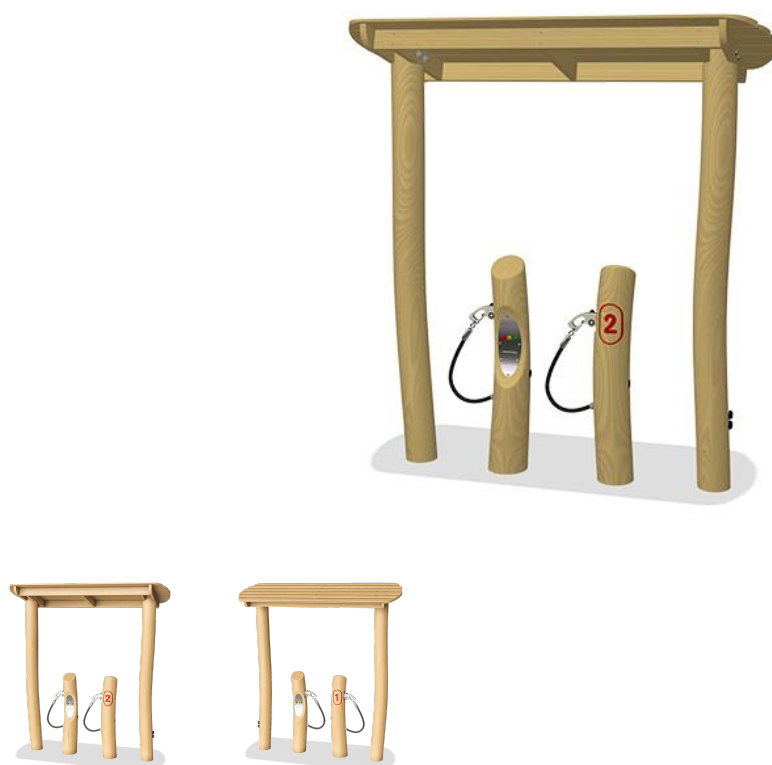


**NRO513**

# Gas Station with 2 pumps

**KOMPAN**<sup>®</sup>  
Let's play



Product is available as FSC® Certified (FSC® C004450) robinia wood on request.

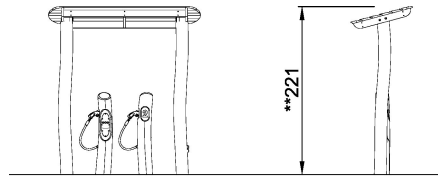
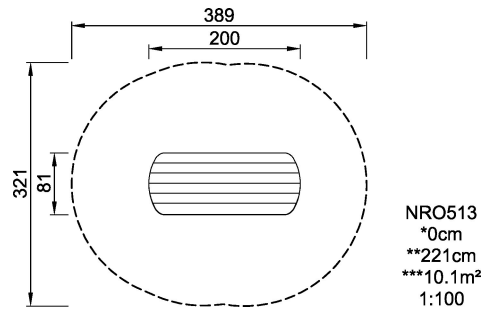
<b>Product Line</b>	Organic Robinia
<b>Category</b>	Traditional play, Sand and water play
<b>Age group</b>	2 - 10
<b>Total height (CM)</b>	221
<b>Safety Zone</b>	10.1 m <sup>2</sup>



IN-  
GROU.



ASTM



NRO513  
1:100

\* = Highest designated play surface.  
\*\* = Total height of product.

<b>Weight/heaviest parts</b>	kg.	<b>Installation (Manpower)</b>	Persons
<b>Concrete required</b>	NaN m3	<b>Installation (Hours)</b>	Hours
<b>Foundation amount/footing</b>	NaN	<b>Excavation</b>	NaN m3