

The intense Matterhorn play tower, with its small physical footprint, appeals immensely to 6-12 year-old mountaineers and offers varied and various play possibilities. The Matterhorn has play all over it, inside and out! It is possible to enter from all sides, at different competence levels. The sturdy panel climbing wall offers two-sided climbing. The thick foot and hand holds give good support for standing as well as sitting. This makes it possible to take a break with friends on the way up, and down. Climbing on the Matterhorn develops cross-body coordination and proprioception. The banister bars offer a thrilling glide to the ground, or a tough monkey walk to the top. Sliding trains sense of balance and space. The motor skills trained on Matterhorn are fundamental for children's ability to e.g. concentrate or securely manage space, e.g. in traffic.

Product Line	ELEMENTS™
Category	ELEMENTS™ GO
Age group	6+
Max. fall height (CM)	238
Total height (CM)	383
Safety Zone	22 m2



SENSORY



JUMP



HANG IN ARMS



BALANCE



CLIMB



SOCIALIZE



GUIDE

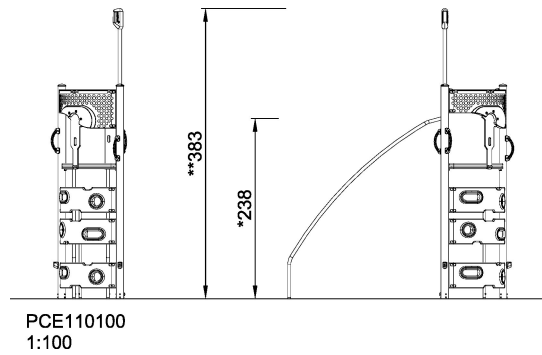
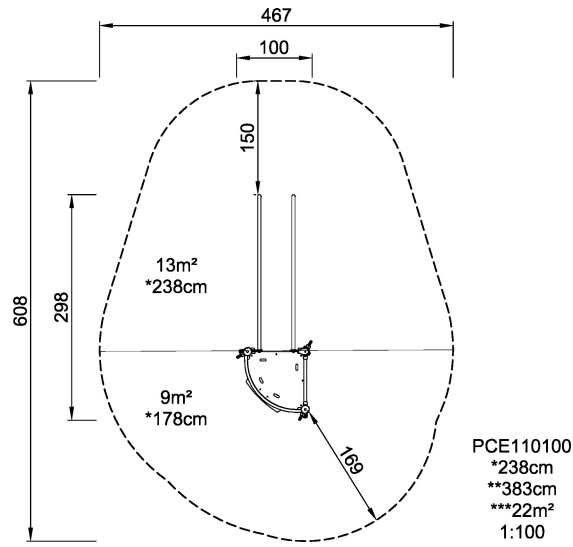


PULL



**SUR-
FACE**

**IN-
GROU.**



* = Highest designated play surface.
** = Total height of product.

Weight/heaviest parts	kg.	Installation (Manpower)	Persons
Concrete required	NaN m3	Installation (Hours)	Hours
Foundation amount/footing	NaN	Excavation	NaN m3