



The Tumbler is a spacious, truly varied play structure which attracts young children immensely. It offers multiple potential layers of play activities to investigate. This attracts the toddlers back again and again. The bouncy activities with rubber membranes are fun, training the children's sense of balance and their ability to cooperate. The responses to their movements additionally train cognitive skills. The many play panels can be accessed from both sides, stimulating social play and turn-taking. The transparent design and the ground level play corners and panels make the Tumbler playable from all sides. Many children can be active at the same time. The Tumbler is rich in play opportunities for toddlers, training their cognitive, creative, social-emotional and physical development.

Product Line	ELEMENTS™
Category	ELEMENTS™ TOTS
Age group	1+
Max. fall height (CM)	58
Total height (CM)	324
Safety Zone	46.6 m2



WONDER



SENSORY



JUMP



CRAWL



BALANCE



BOUNCE



CLIMB



CONSTRUCT



SLIDE



SOCIALIZE



SWAY

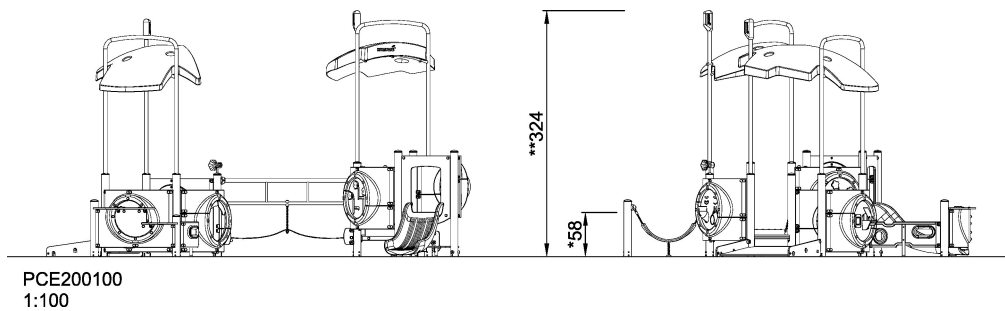
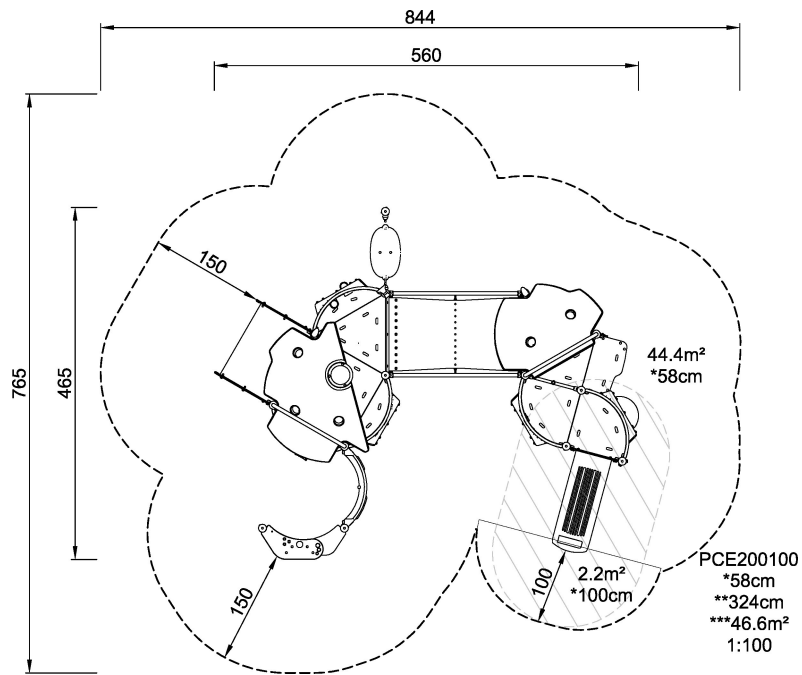


INCLUSIVE



**SUR-
FACE**

**IN-
GROU.**



* = Highest designated play surface.
** = Total height of product.

Weight/heaviest parts	kg.	Installation (Manpower)	Persons
Concrete required	NaN m ³	Installation (Hours)	Hours
Foundation amount/footing	NaN	Excavation	NaN m ³