

The Miner attracts children with its variety of colors. The number of sand play activities makes them come back again and again. The movable funnel can transport sand into the sieve or let it run through to the lower funnel. This stimulates the child's understanding of object permanence and logical thinking. The scoop lifts sand from the ground and running it on the tube helps build arm strength. The two table heights make cooperation possible for different ages: the youngest can use the lower table as a support for standing. Additionally, it creates a good space for working with materials. The two-sided Miner is a fine space creator in any playground, providing room for children of all abilities to play together, from all sides.

Product Line	ELEMENTS™
Category	ELEMENTS™ GROW
Age group	2+
Total height (CM)	210
Safety Zone	12.1 m2

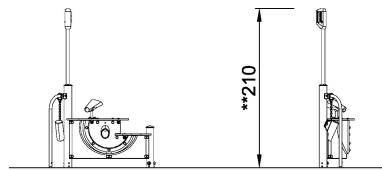
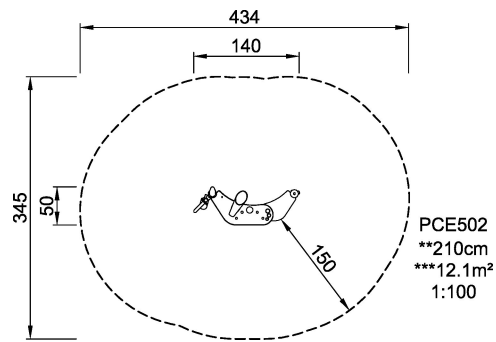


**SUR-
FACE**

**IN-
GROU.**



ASTM



PCE502
1:100

* = Highest designated play surface.
** = Total height of product.

Weight/heaviest parts	kg.	Installation (Manpower)	Persons
Concrete required	NaN m3	Installation (Hours)	Hours
Foundation amount/footing	NaN	Excavation	NaN m3