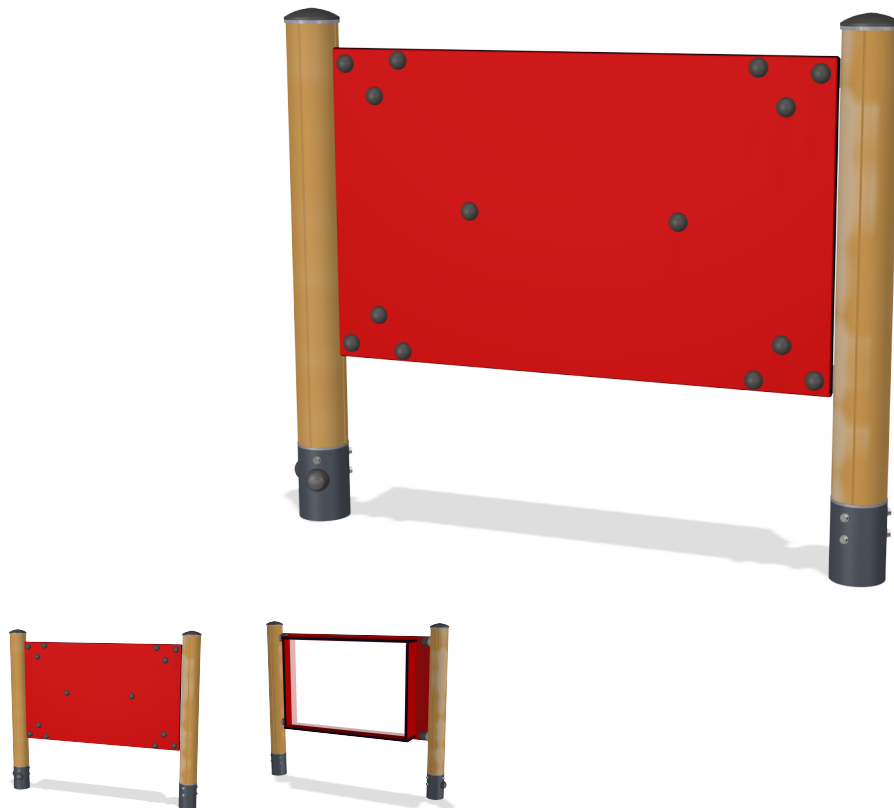


PCM0008

Flat Mirror Panel



Product Line	Themed Play
Category	Toddler play
Age group	2 - 8
Total height (CM)	100
Safety Zone	11 m2



SOCIALIZE



CONSTRUCT



DRAMATIC
PLAY



INCLUSIVE

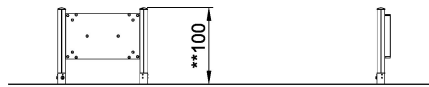
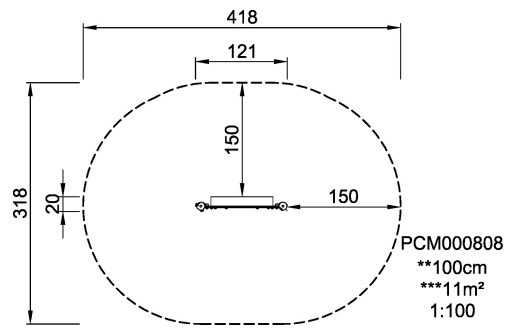


SUR-
FACE



ADA / INCLUSIVE

ASTM



PCM000808
1:100

* = Highest designated play surface.
** = Total height of product.

Weight/heaviest parts	kg.	Installation (Manpower)	Persons
Concrete required	NaN m ³	Installation (Hours)	Hours
Foundation amount/footing	NaN	Excavation	NaN m ³