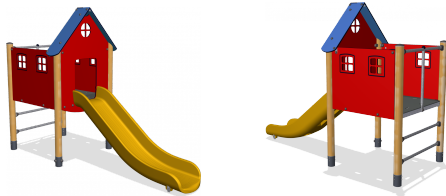


PCM100101

Play Tower, Basic

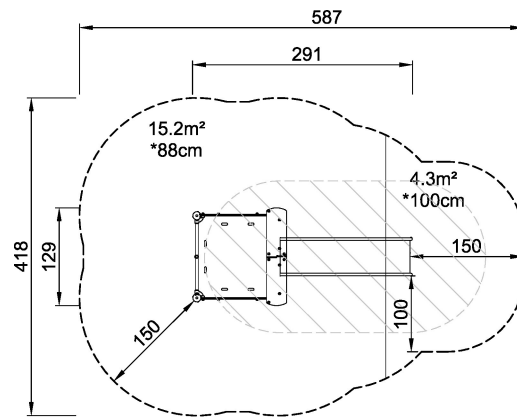


This sturdy play structure offers classic climbing and sliding in a framework inviting role play with the house windows and roof. The level change of sliding is a source of joy for children, feeling the tickle of the stomach, as gravity takes over control of the speed. The stairs leading up to the platform train the muscles and the cross-body coordination, but at the end a good view of the playground awaits.

Product Line	Multi play structures
Category	MOMENTS™ Preschool
Age group	2 - 8
Max. fall height (CM)	100
Total height (CM)	221
Safety Zone	19.6 m2



**SUR-
FACE**



PCM100101
*100cm
**221cm
***19.6m²
1:100

* = Highest designated play surface.
** = Total height of product.

Weight/heaviest parts	kg.	Installation (Manpower)	Persons
Concrete required	NaN m3	Installation (Hours)	Hours
Foundation amount/footing	NaN	Excavation	NaN m3