

PCM100104

# Play Tower, Physical, ADA Stairs



This play structure supports all 2-6 year-olds wanting to climb onto the house platform due to the accessible stairway, wide enough to room an assistant and with good grips in the side panels and the floors. The transfer platform at the beginning of the stairway makes for a good seat as well. The roof and windows set the theme of a house and invite for a break. The slide leads the child back to ground level at full speed.

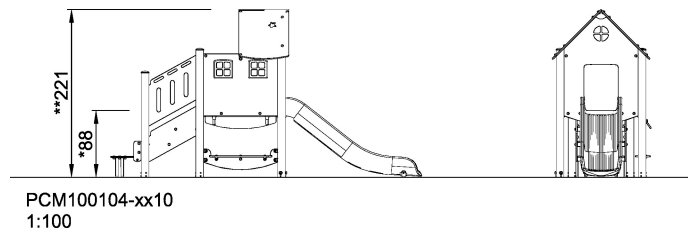
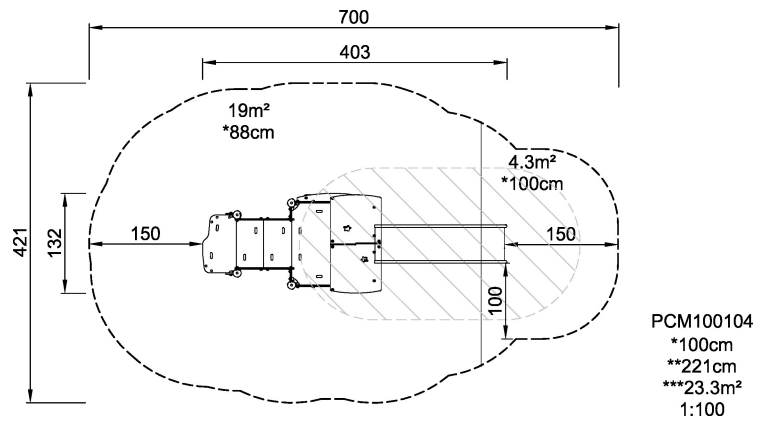
|                              |                       |
|------------------------------|-----------------------|
| <b>Product Line</b>          | Multi play structures |
| <b>Category</b>              | MOMENTS™ Preschool    |
| <b>Age group</b>             | 2 - 8                 |
| <b>Max. fall height (CM)</b> | 100                   |
| <b>Total height (CM)</b>     | 221                   |
| <b>Safety Zone</b>           | 23.3 m2               |



**SUR-  
FACE**



**ASTM**



\* = Highest designated play surface.  
\*\* = Total height of product.

|                                  |                    |                                |                    |
|----------------------------------|--------------------|--------------------------------|--------------------|
| <b>Weight/heaviest parts</b>     | kg.                | <b>Installation (Manpower)</b> | Persons            |
| <b>Concrete required</b>         | NaN m <sup>3</sup> | <b>Installation (Hours)</b>    | Hours              |
| <b>Foundation amount/footing</b> | NaN                | <b>Excavation</b>              | NaN m <sup>3</sup> |