

PCM100209

Play Tower, Ultimate

KOMPAN[®]
Let's play

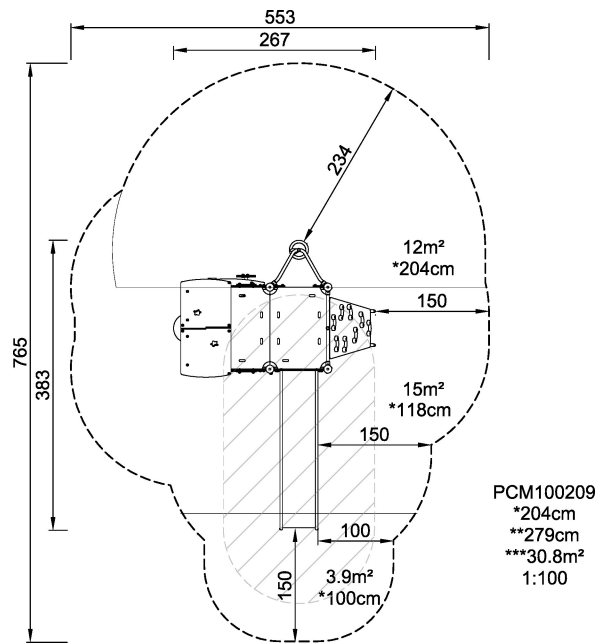


This multi play house structure on poles makes a great offering for both the cognitive, creative, social and physical play development of the child. An inclined climbing wall with supportive smiley cleats leads the way up into the house. There are two exits: the slide, offering stomach tickling joy, worth endless loops up the stairs and down the slide. Or, even better, a seated, rotating slide movement down the curly climber, holding onto the pole in the middle for extra support.

Product Line	Multi play structures
Category	MOMENTS™ Preschool
Age group	2 - 8
Max. fall height (CM)	204
Total height (CM)	279
Safety Zone	30.8 m2



**SUR-
FACE**



* = Highest designated play surface.
** = Total height of product.

Weight/heaviest parts	kg.	Installation (Manpower)	Persons
Concrete required	NaN m3	Installation (Hours)	Hours
Foundation amount/footing	NaN	Excavation	NaN m3