

PCM100605

Double Slide, Social



This play structure supports the 2-6 year-olds climb onto the house platform with the inclined access net, allowing for more children entering the platform height and supporting their climb with its inclination and equally spaced net masks. The double slide adds to a social experience, sliding together back to ground level at full speed. This loop up the climbing net, down the double slide is a source of eternal joy, stomach tickle and activity to young children.

Product Line	Multi play structures
Category	MOMENTS™ Preschool
Age group	2 - 8
Max. fall height (CM)	100
Total height (CM)	170
Safety Zone	20.9 m2



SOCIALIZE



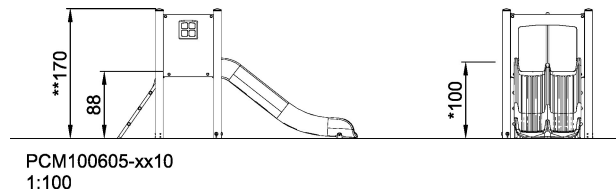
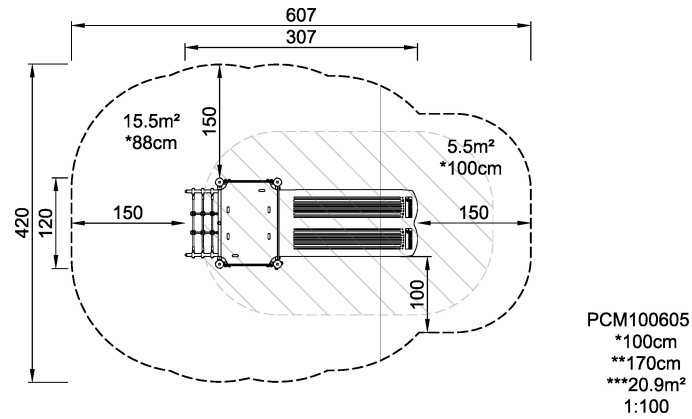
CLIMB



SLIDE



**SUR-
FACE**



* = Highest designated play surface.
** = Total height of product.

Weight/heaviest parts	kg.	Installation (Manpower)	Persons
Concrete required	NaN m3	Installation (Hours)	Hours
Foundation amount/footing	NaN	Excavation	NaN m3