

PCM101000

Play tower with balcony, wood posts, plastic slide

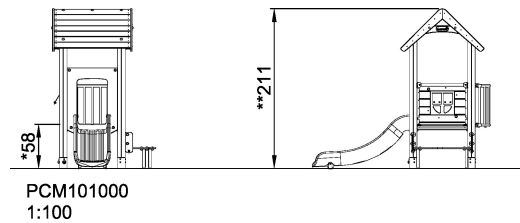
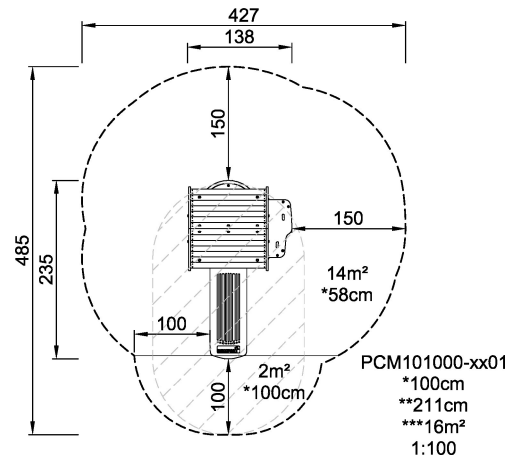


For the developing child this play tower offers high play value. To gain access to the platform, the child will need to traverse a step, which help develop the motor skills. From here the child can use the slide or walk on to the balcony from where the child can interact with caregivers or peers, training social interaction. The peek-a-boo panel has curtains that can be drawn and closed training fine-motor skills, and cognitively it will support children's learning of object permanence.

Product Line	Multi play structures
Category	MOMENTS™ MINI Toddler & Preschool
Age group	1 - 4
Max. fall height (CM)	100
Total height (CM)	211
Safety Zone	16 m ²



IN-
GROU.



* = Highest designated play surface.
** = Total height of product.

Weight/heaviest parts	kg.	Installation (Manpower)	Persons
Concrete required	NaN m3	Installation (Hours)	Hours
Foundation amount/footing	NaN	Excavation	NaN m3