

PCM101400

# Play tower with slide, wood posts, plastic slide

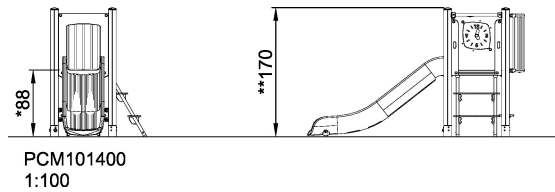
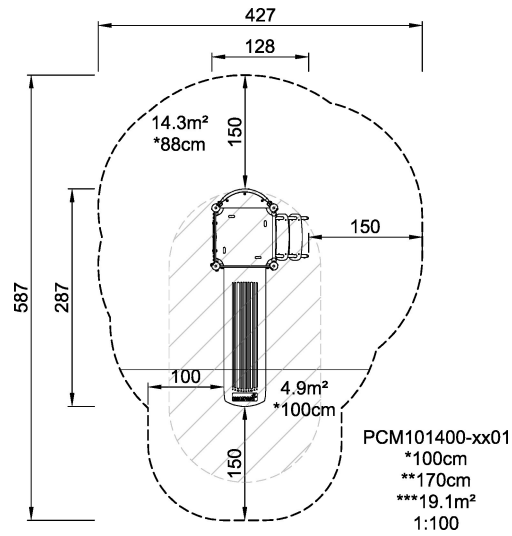


This play tower offers a variety of activities and panels. To use the slide children will have to climb the stairs training their gross motor skills. Once on the platform the panel with a clock can be used for teaching about reading clocks. On the other side the clock panel features different facial expressions. By talking about the faces, children learn to recognize others' feelings. For social interactions, there is a balcony, where children can interact with others, and underneath there is a bench.

<b>Product Line</b>	Multi play structures
<b>Category</b>	MOMENTS™ MINI Toddler & Preschool
<b>Age group</b>	2 - 6
<b>Max. fall height (CM)</b>	100
<b>Total height (CM)</b>	170
<b>Safety Zone</b>	19.1 m <sup>2</sup>



IN-  
GROU.



\* = Highest designated play surface.  
\*\* = Total height of product.

<b>Weight/heaviest parts</b>	kg.	<b>Installation (Manpower)</b>	Persons
<b>Concrete required</b>	NaN m3	<b>Installation (Hours)</b>	Hours
<b>Foundation amount/footing</b>	NaN	<b>Excavation</b>	NaN m3