

PCM101600

Play tower with climbing pole, steel posts, st. steel slide

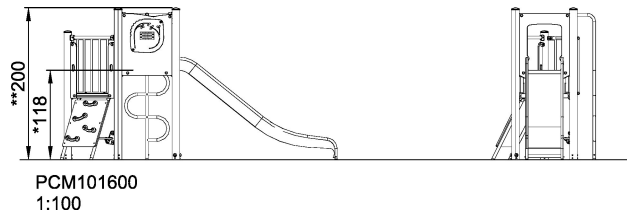
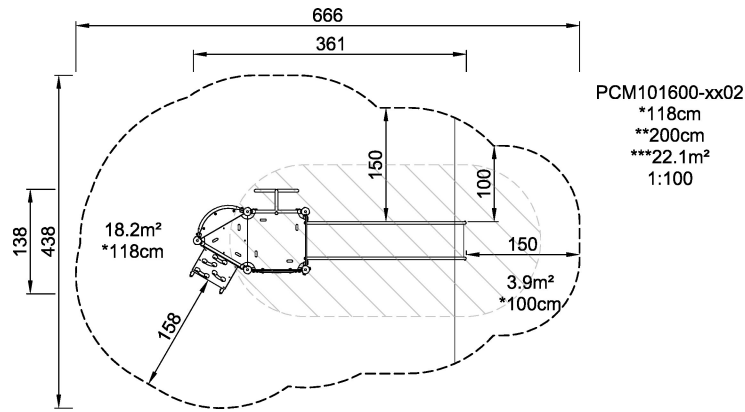


This play tower offers activities in different levels for both physical play and cognitive challenges for the growing mind. The climbing pole and the inclined climbing wall are both fun physical activities while the abacus panel prompts children to use numbers and to manipulate the counters thus training their fine-motor skills. To exit the play tower children can use the slide. At ground level, children can also play under the structure, and a bench offers a setting for social interactions.

Product Line	Multi play structures
Category	MOMENTS™ MINI Toddler & Preschool
Age group	2 - 6
Max. fall height (CM)	118
Total height (CM)	200
Safety Zone	22.1 m ²



IN-
GROU.



* = Highest designated play surface.
** = Total height of product.

Weight/heaviest parts	kg.	Installation (Manpower)	Persons
Concrete required	NaN m3	Installation (Hours)	Hours
Foundation amount/footing	NaN	Excavation	NaN m3