

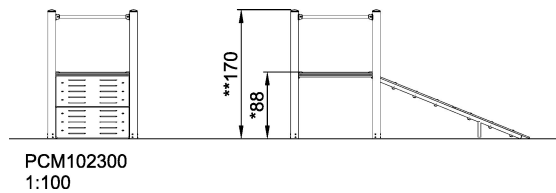
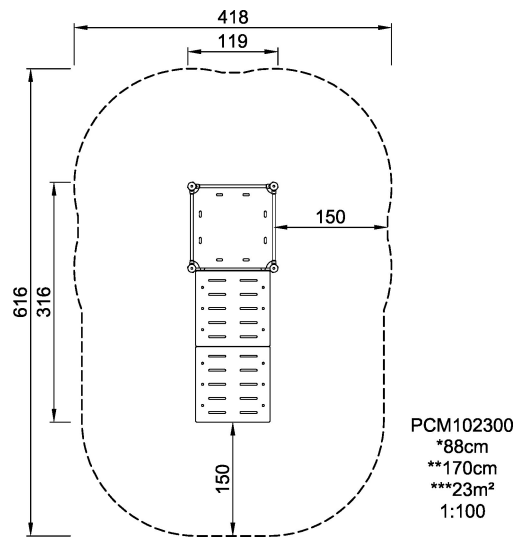
PCM102300 Start Platform



Product Line	Traditional Play
Category	Cableways
Age group	4 - 12
Max. fall height (CM)	88
Total height (CM)	170
Safety Zone	23 m ²



IN-
GROU.



* = Highest designated play surface.
** = Total height of product.

Weight/heaviest parts	kg.	Installation (Manpower)	Persons
Concrete required	NaN m3	Installation (Hours)	Hours
Foundation amount/footing	NaN	Excavation	NaN m3