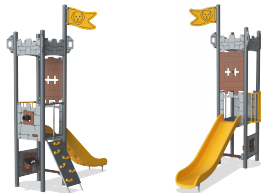


PCM102800

# Castle Spire Tower with Roof & Plastic Slide



This castle spire tower allows for climbing and sliding and gathering under the deck. The climbing wall makes a challenging climb up to the platform from which a view from the balcony over the playground can be enjoyed before taking the slide down to ground level. Climbing takes cross-body coordination and sliding stimulates the sense of space and the balance, making this unit a fine training platform for children's motor skills. The nice space with counter and a chest under the deck invites gathering and creates a fine frame for social play and role play.

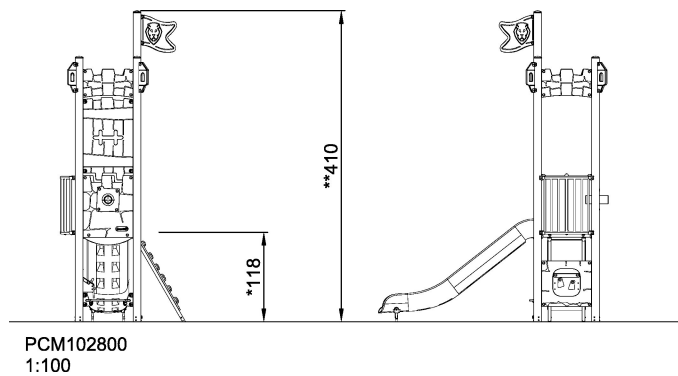
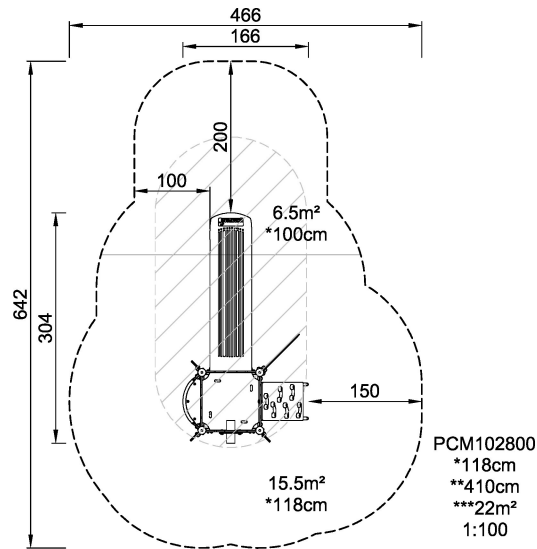
<b>Product Line</b>	Themed Play
<b>Category</b>	Pirateships and Castles
<b>Age group</b>	2 - 6
<b>Max. fall height (CM)</b>	118
<b>Total height (CM)</b>	410
<b>Safety Zone</b>	22 m <sup>2</sup>



IN-  
GROU.



ASTM



\* = Highest designated play surface.  
\*\* = Total height of product.

<b>Weight/heaviest parts</b>	kg.	<b>Installation (Manpower)</b>	Persons
<b>Concrete required</b>	NaN m <sup>3</sup>	<b>Installation (Hours)</b>	Hours
<b>Foundation amount/footing</b>	NaN	<b>Excavation</b>	NaN m <sup>3</sup>