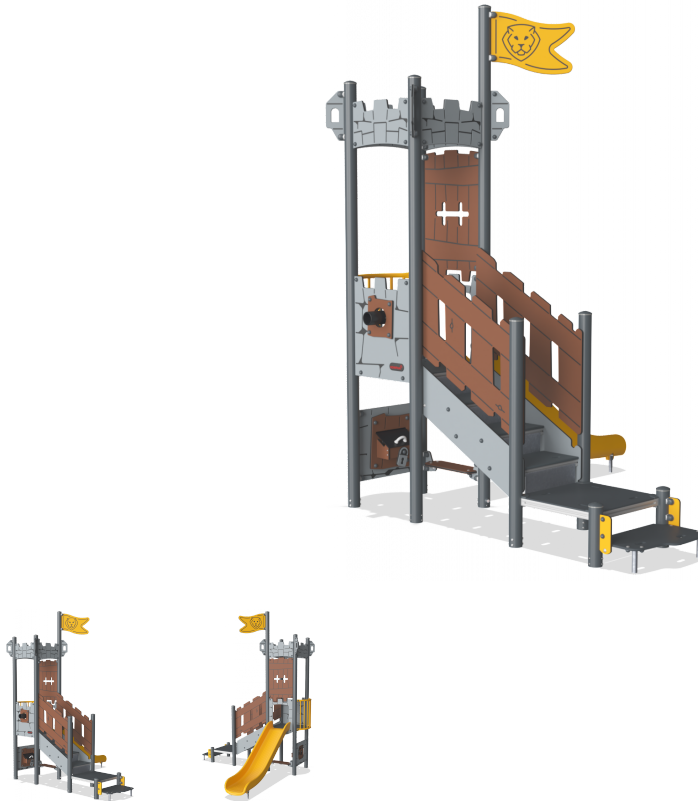


PCM102900

# Castle Spire tower ADA , Plastic slide

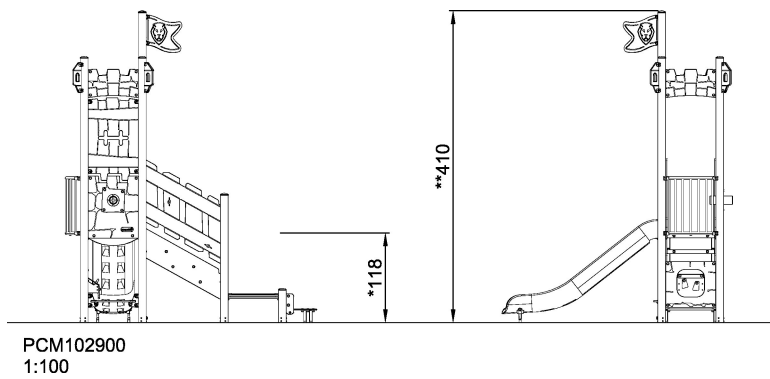
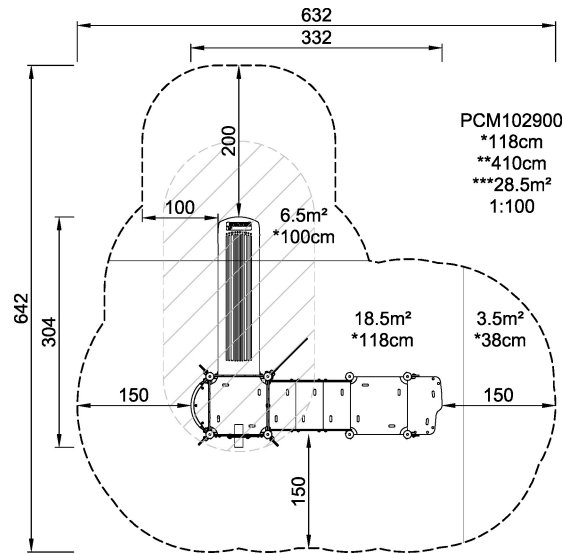
**KOMPAN**<sup>®</sup>  
Let's play



---

<b>Product Line</b>	Themed Play
<b>Category</b>	Pirateships and Castles
<b>Age group</b>	2 - 6
<b>Max. fall height (CM)</b>	118
<b>Total height (CM)</b>	410
<b>Safety Zone</b>	28.5 m2

---



\* = Highest designated play surface.  
\*\* = Total height of product.

<b>Weight/heaviest parts</b>	kg.	<b>Installation (Manpower)</b>	Persons
<b>Concrete required</b>	NaN m3	<b>Installation (Hours)</b>	Hours
<b>Foundation amount/footing</b>	NaN	<b>Excavation</b>	NaN m3