

PCM110103

Embankment Slide - Curved

KOMPAN
Let's play



Sliding is a favourite occupation for children of all ages, adding that stomach tickling feeling of speed. The Curved Embankment Slide is an all-time favourite with its long, winding slide bed taking children to the ground at high speed. The play advantage of an embankment slide is the interaction that can be undertaken with friends when going down the very same hill that they are running or climbing up or down. Apart from being great fun, sliding also trains the child's focal tracking and sense of space.

Product Line	Traditional Play
Category	Slides
Age group	4 - 12
Max. fall height (CM)	100
Total height (CM)	320
Safety Zone	24.5 m2



SLIDE



INCLUSIVE

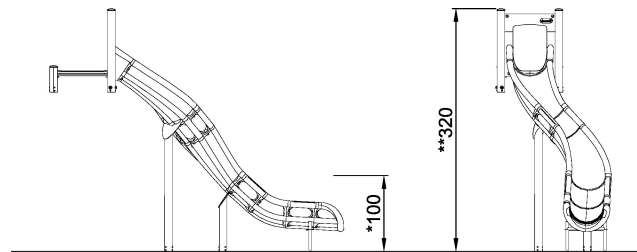
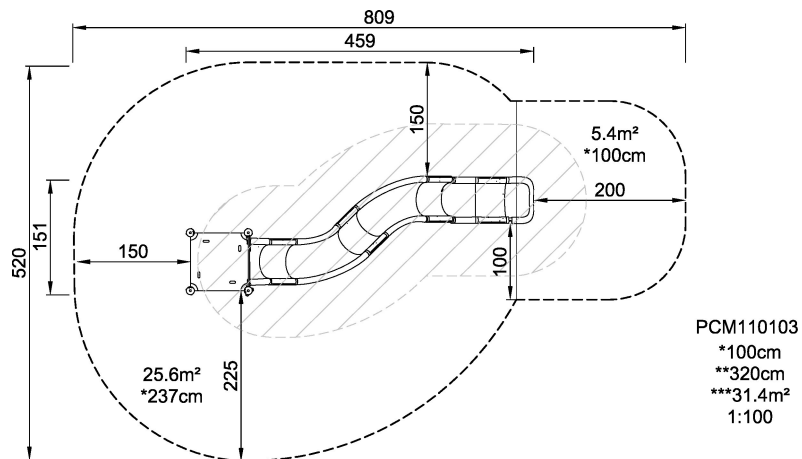


**SUR-
FACE**



ADA / INCLUSIVE

ASTM



PCM110103
1:100

* = Highest designated play surface.
** = Total height of product.

Weight/heaviest parts	kg.	Installation (Manpower)	Persons
Concrete required	NaN m3	Installation (Hours)	Hours
Foundation amount/footing	NaN	Excavation	NaN m3