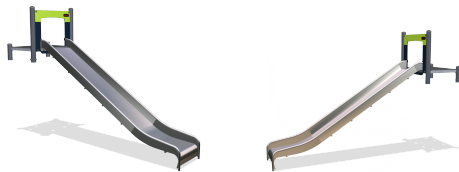


PCM110203

Embankment Slide - Wide

KOMPAN
Let's play



Sliding is a favourite occupation for children of all ages, adding that stomach tickling feeling of speed. The more the merrier, so the Wide Embankment Slide is an all-time favourite with its roomy bed taking children side-by-side to the ground at high speed. The width of the slide bed also allows for adults and care givers to go down the slide with children, who are cautious to go on their own or in need of assistance for other reasons. The play advantage of an embankment slide is the interaction that can be undertaken with friends when going down the very same hill that they are running or climbing up or down. Apart from being great fun, sliding also trains the child's focal tracking and sense of space.

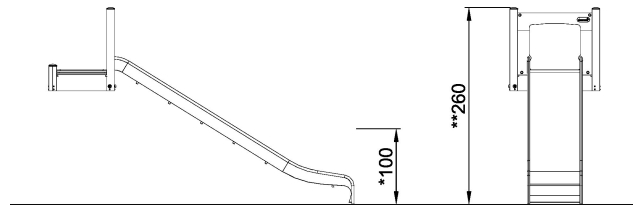
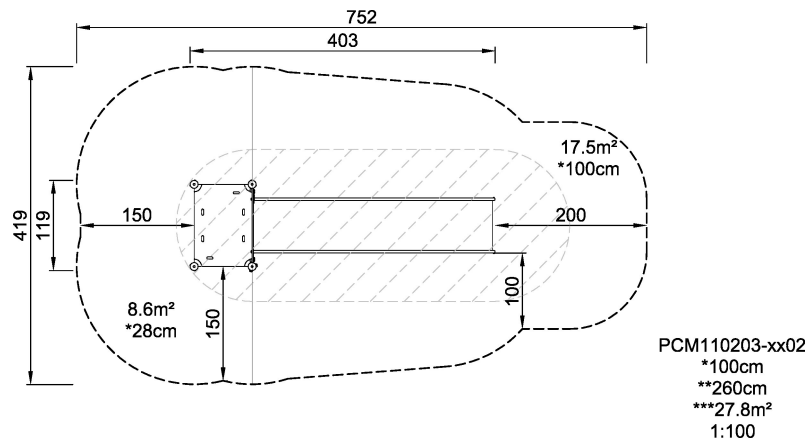
Product Line	Traditional Play
Category	Slides
Age group	4 - 12
Max. fall height (CM)	100
Total height (CM)	260
Safety Zone	27.8 m ²



**SUR-
FACE**



ASTM



PCM110203
1:100

* = Highest designated play surface.
** = Total height of product.

Weight/heaviest parts	kg.	Installation (Manpower)	Persons
Concrete required	NaN m3	Installation (Hours)	Hours
Foundation amount/footing	NaN	Excavation	NaN m3