

PCM110603

# Play Tower with Swing, Physical, Plastic Slide

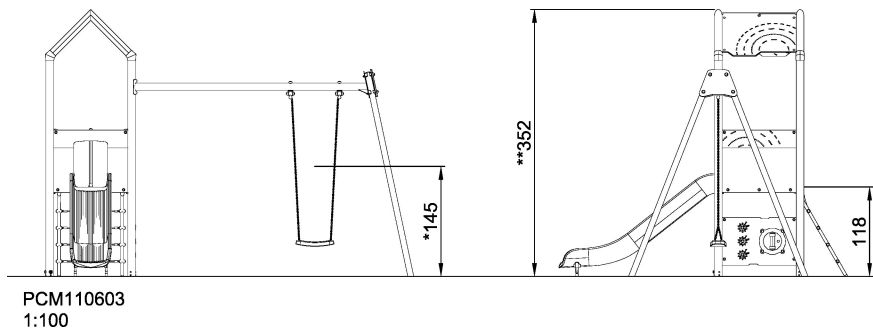
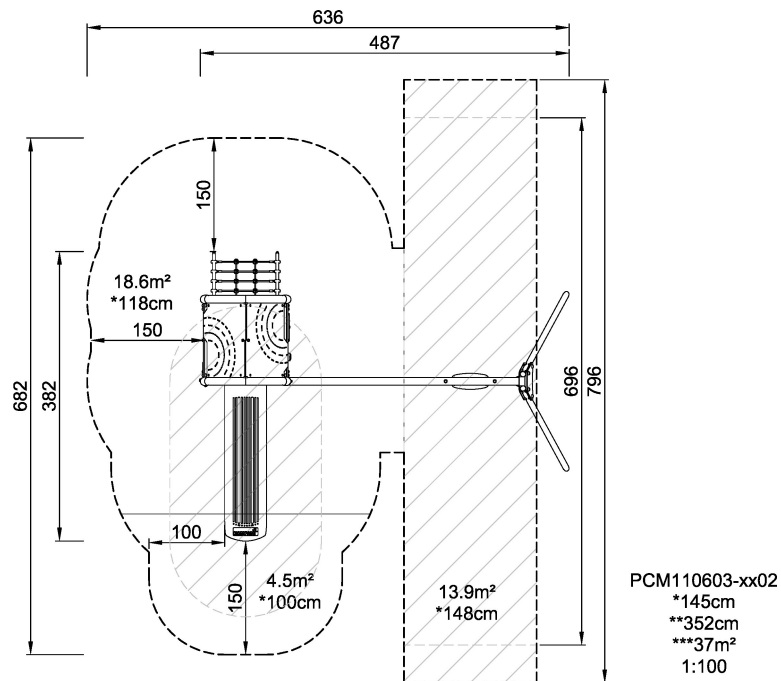


The combination of climbing, swinging and sliding is the recipe for great fun for school age children. The platform with the slide can be entered by the inclined climbing net, and from the platform a stomach-tickling slide ride takes the child back to the ground. Under the platform of the tower, a panel with a modern hour glass feature can be experimented with. The swing is great fun and a feature that can be used by all generations, seated, lying on the stomach or standing. Apart from being great fun, climbing, swinging and sliding train the motor skills of the child: the whole vestibular system, the vestibular system, the sense of balance and the cross-body coordination is trained when climbing, swinging and sliding.

<b>Product Line</b>	Multi play structures
<b>Category</b>	MOMENTS™ School age
<b>Age group</b>	3 - 8
<b>Max. fall height (CM)</b>	145
<b>Total height (CM)</b>	352
<b>Safety Zone</b>	37 m2



**SUR-  
FACE**



\* = Highest designated play surface.  
 \*\* = Total height of product.

<b>Weight/heaviest parts</b>	kg.	<b>Installation (Manpower)</b>	Persons
<b>Concrete required</b>	NaN m3	<b>Installation (Hours)</b>	Hours
<b>Foundation amount/footing</b>	NaN	<b>Excavation</b>	NaN m3