

PCM110703

Play Tower with Double Swing, Physical, Steel Slide

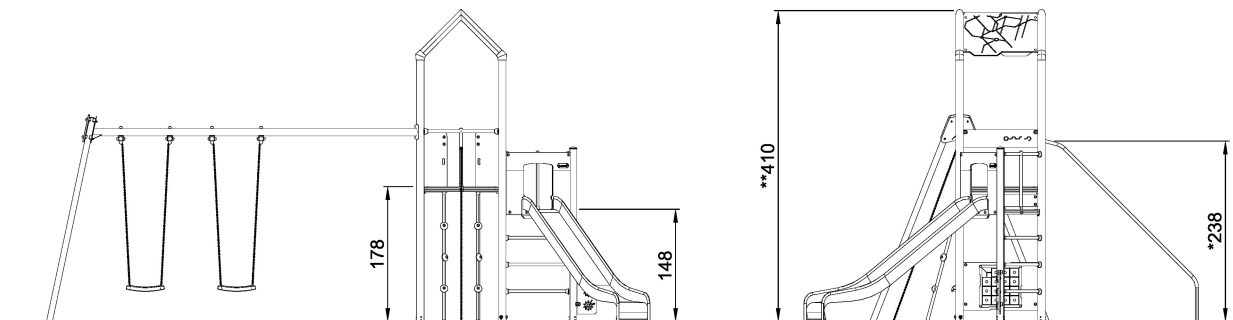
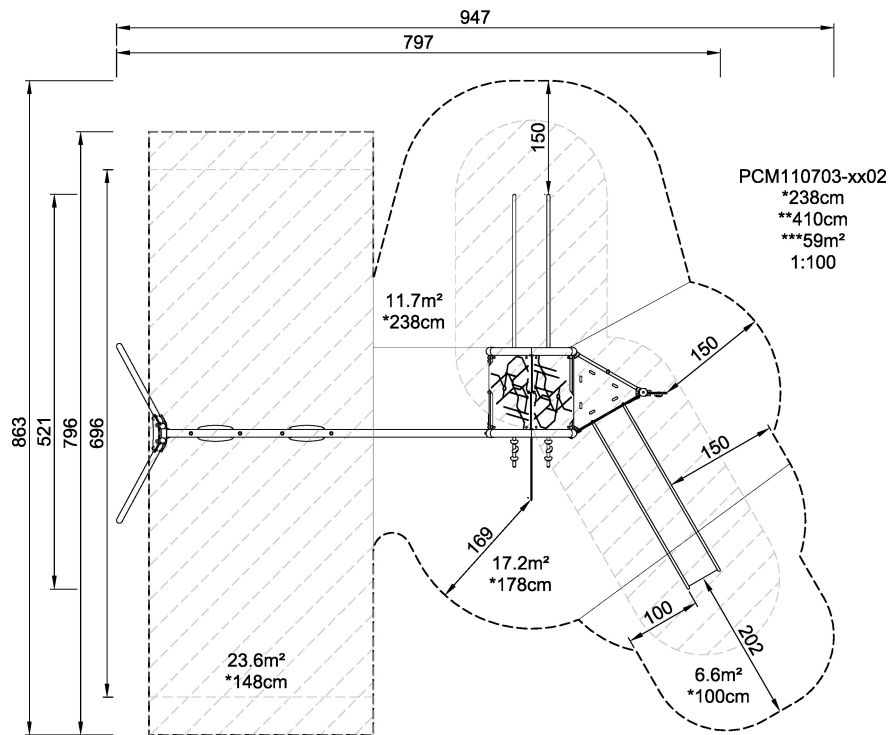


The varied climbing, gliding, sliding and swinging experiences of the Play Tower with Double Swing offers a good fundament for hours of fun, physical play and quite substantial training of the child's motor skills and muscles. Apart from that, a break from the physical activity is offered with the naughts-and-crosses panel under the platform and the tactile turnable timers on the platform post. The varied climbing consists of a sturdy stair with three rungs for fast access and not least of a rappelling access, a challenging and fun access to the slide tower. From the slide tower, there are two egresses: a classic tommy-tickling slide ride or the more daring banister bars, that allow a gliding movement to the ground level.

Product Line	Multi play structures
Category	MOMENTS™ School age
Age group	4 - 12
Max. fall height (CM)	238
Total height (CM)	410
Safety Zone	59 m2



**SUR-
FACE**



PCM110703
1:100

* = Highest designated play surface.
** = Total height of product.

Weight/heaviest parts	kg.	Installation (Manpower)	Persons
Concrete required	NaN m3	Installation (Hours)	Hours
Foundation amount/footing	NaN	Excavation	NaN m3