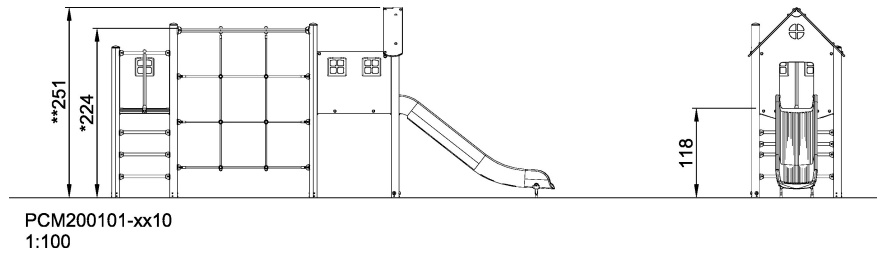
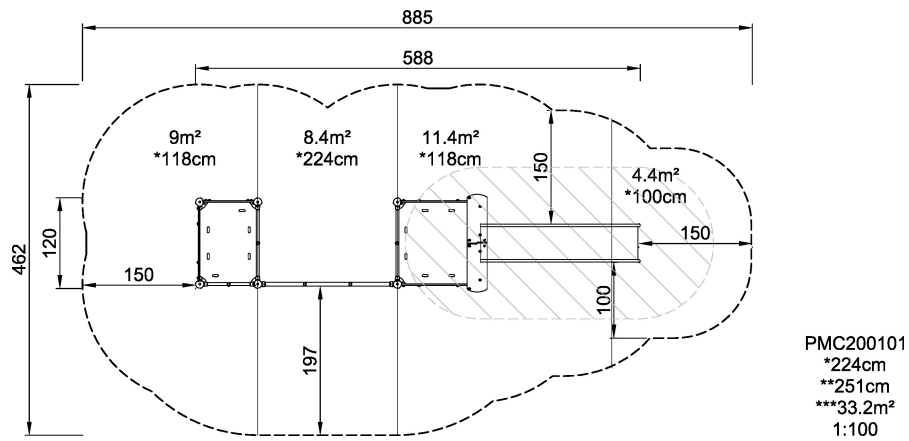


This two tower structure allows for varied climbing in the great meshed net, which also allows for climbing through or hanging from your knees. The lovely towers offer small, sturdy stairways up, and from the house with the carved windows and the view of the playground, the slide with its fast level change is a source of joy for children, feeling the tickle of the stomach, as gravity takes over control of the speed.

Product Line	Multi play structures
Category	MOMENTS™ Preschool
Age group	2 - 8
Max. fall height (CM)	224
Total height (CM)	251
Safety Zone	33.2 m2



**SUR-
FACE**



* = Highest designated play surface.
** = Total height of product.

Weight/heaviest parts	kg.	Installation (Manpower)	Persons
Concrete required	NaN m ³	Installation (Hours)	Hours
Foundation amount/footing	NaN	Excavation	NaN m ³