

PCM200105

Double Tower, Social



This two tower multiple play structure invites play with friends all over. The sturdy ladder with the supportive hand grips takes the child to the tower, from where a crawl through the tunnel allows for a nice peek out the big bubble window, which distorts the voice nicely when spoken into. The children can knock the window and gain contact with friends on ground level. The tunnel leads to the nice house with the carved windows, a good gathering point.

Product Line	Multi play structures
Category	MOMENTS™ Preschool
Age group	2 - 8
Max. fall height (CM)	118
Total height (CM)	251
Safety Zone	32.4 m2



SOCIALIZE



CLIMB



SLIDE



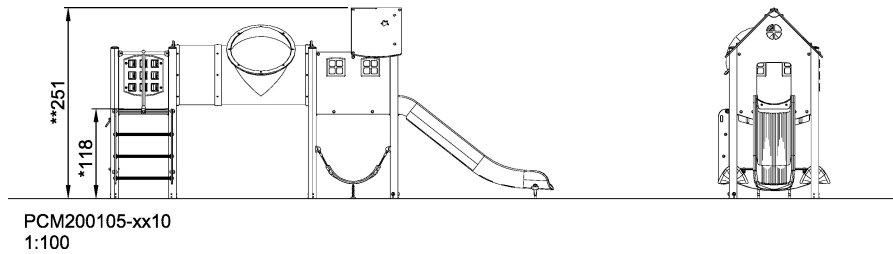
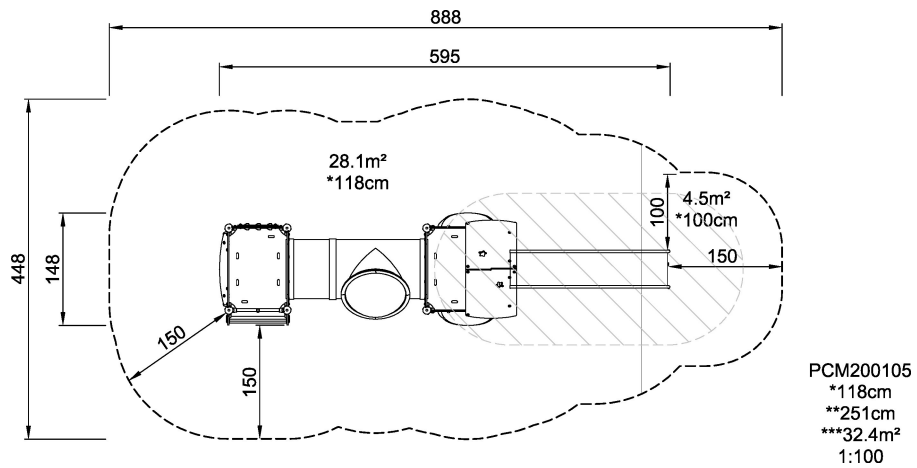
CONSTRUCT



DRAMATIC PLAY



**SUR-
FACE**



* = Highest designated play surface.
** = Total height of product.

Weight/heaviest parts	kg.	Installation (Manpower)	Persons
Concrete required	NaN m3	Installation (Hours)	Hours
Foundation amount/footing	NaN	Excavation	NaN m3